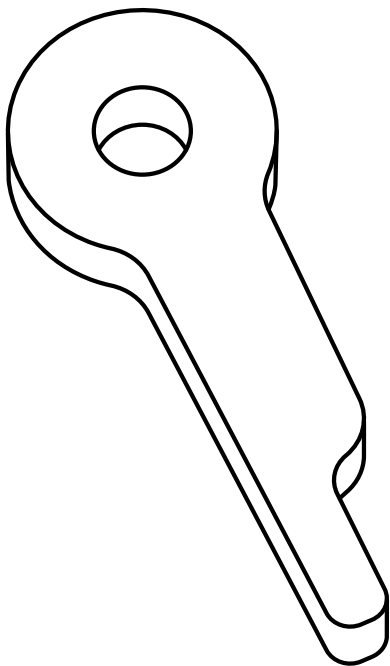
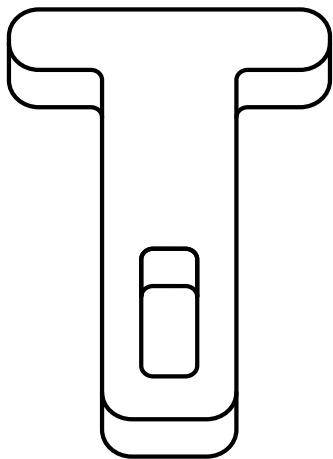




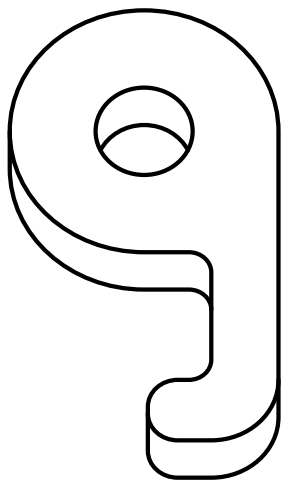
SUPERVISOR AUDIT CARDS



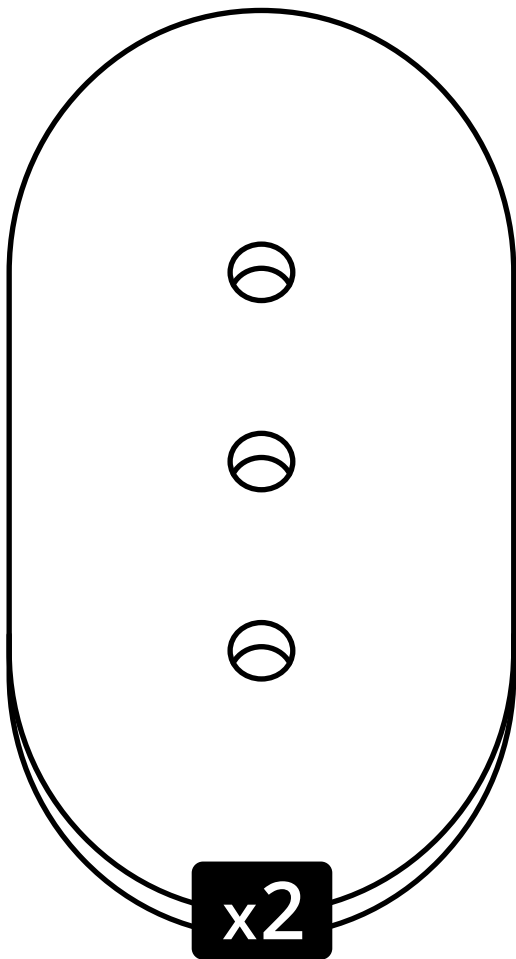
x24

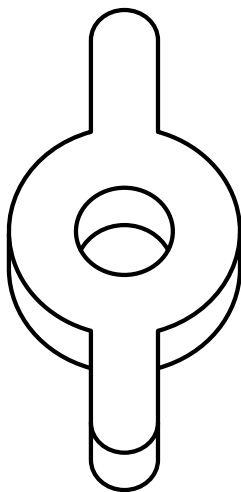


x14

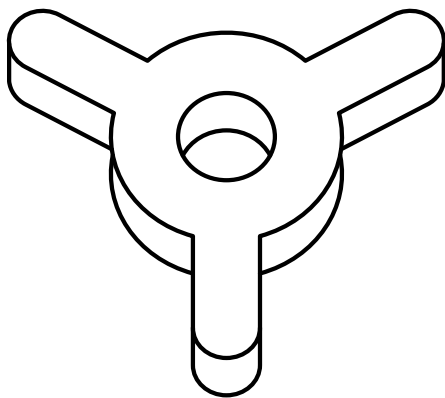


x12

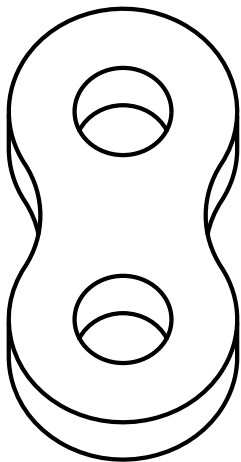




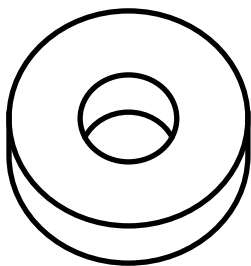
x6



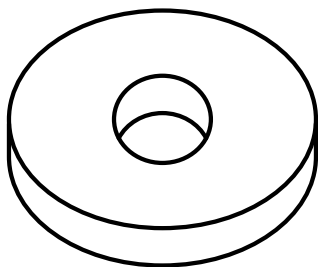
x6



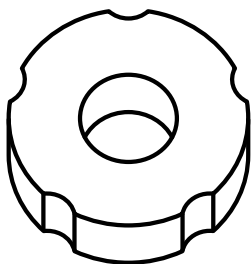
x4



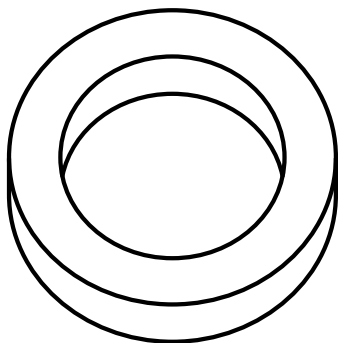
x6



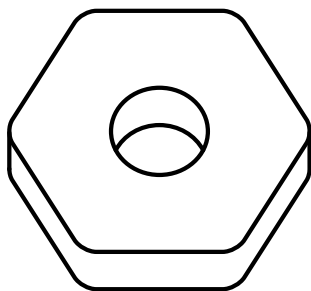
x6



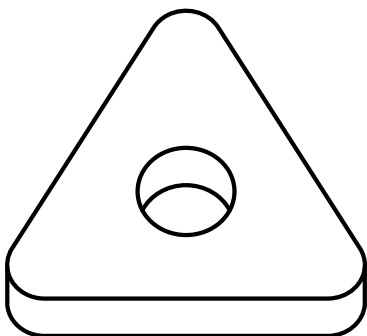
x6



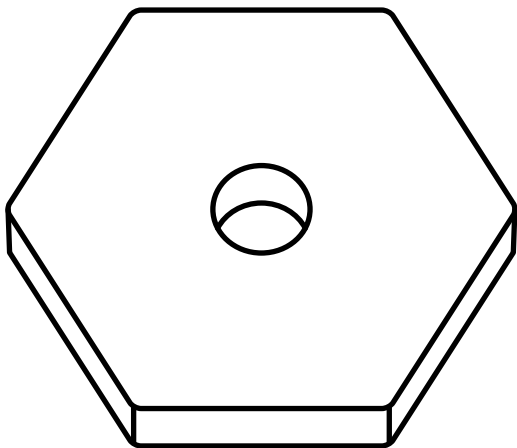
x2



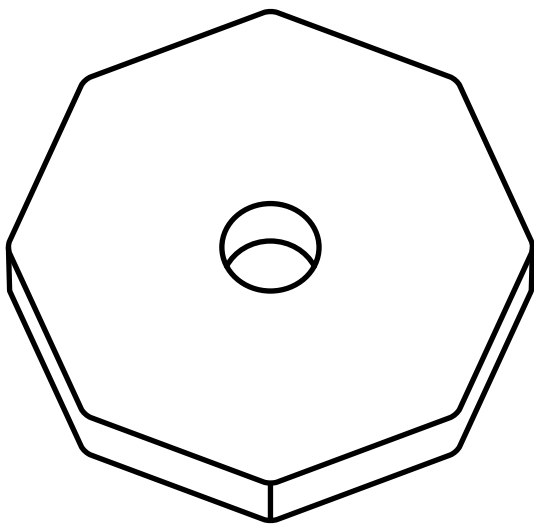
x3



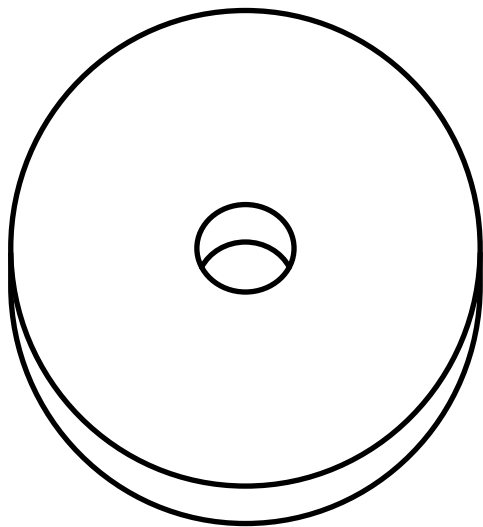
x3



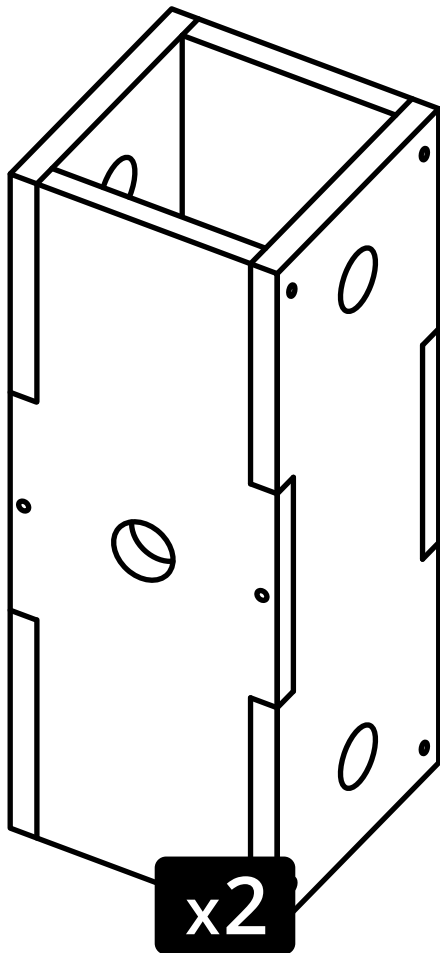
x2

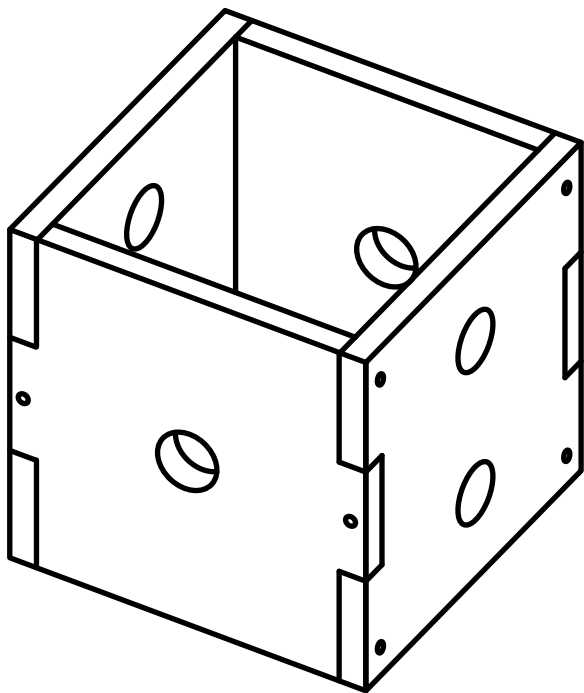


x2

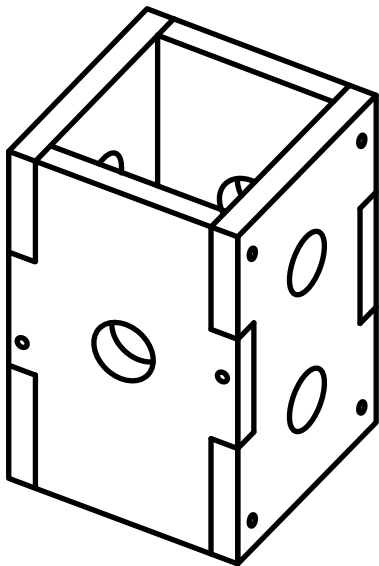


x2

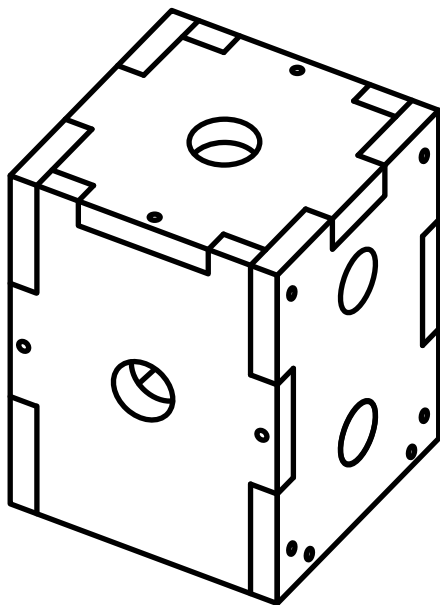




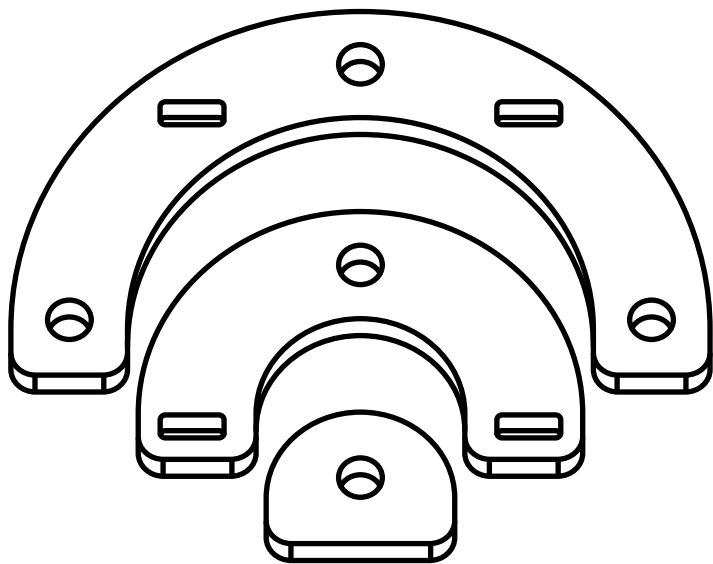
x2



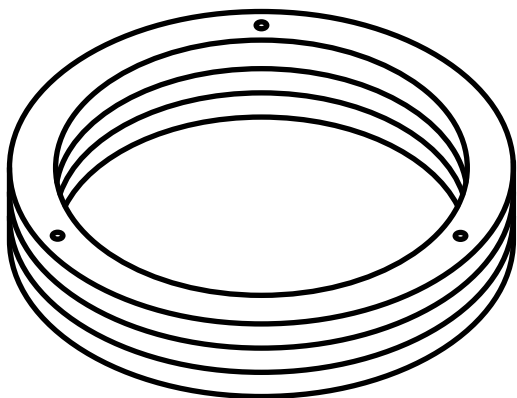
x1



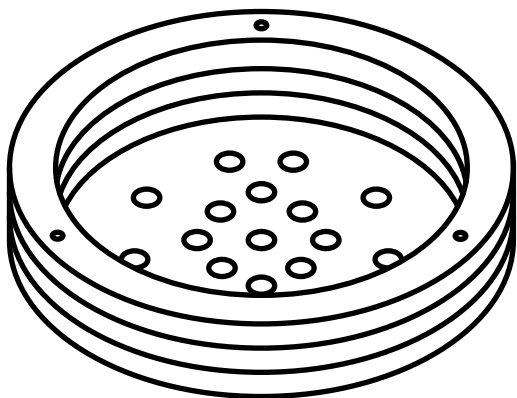
x2



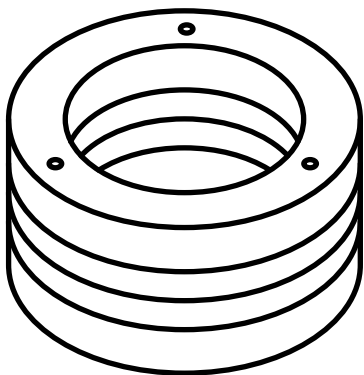
x1



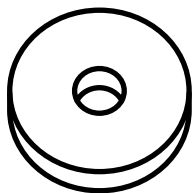
x2



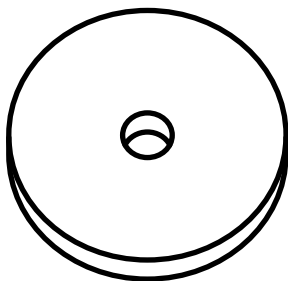
x1



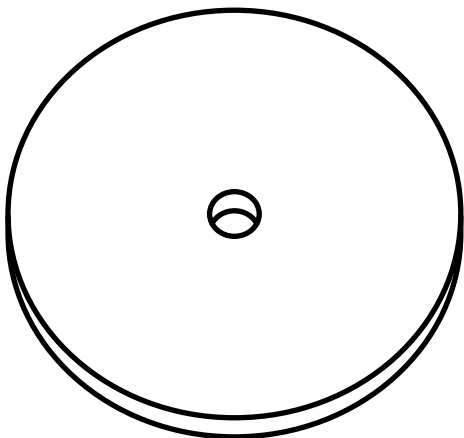
x3



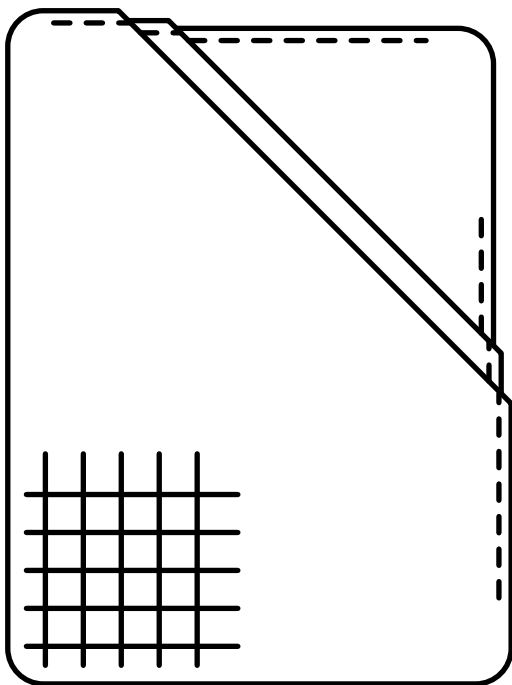
x4



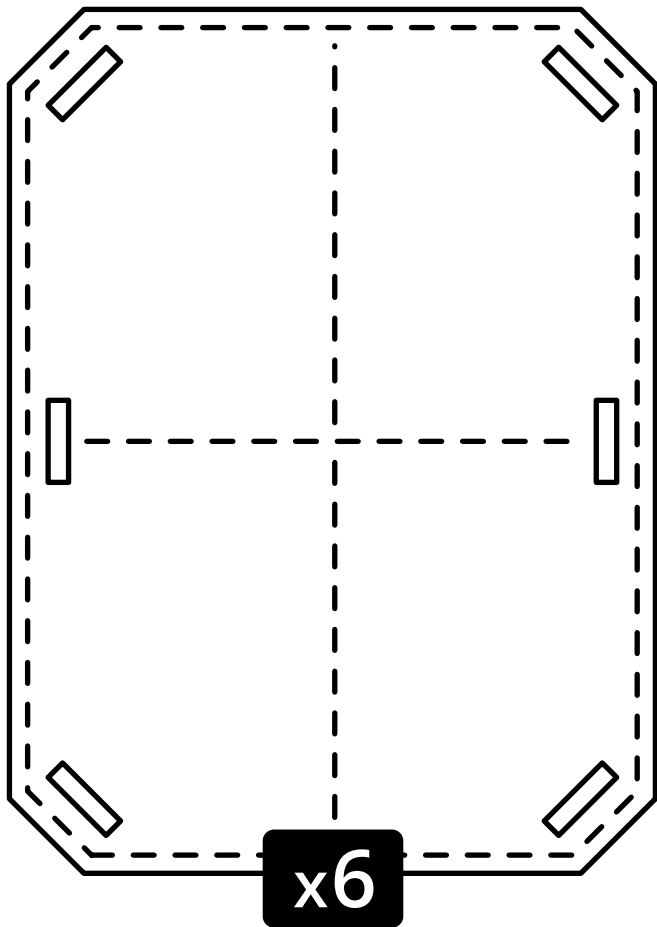
x8

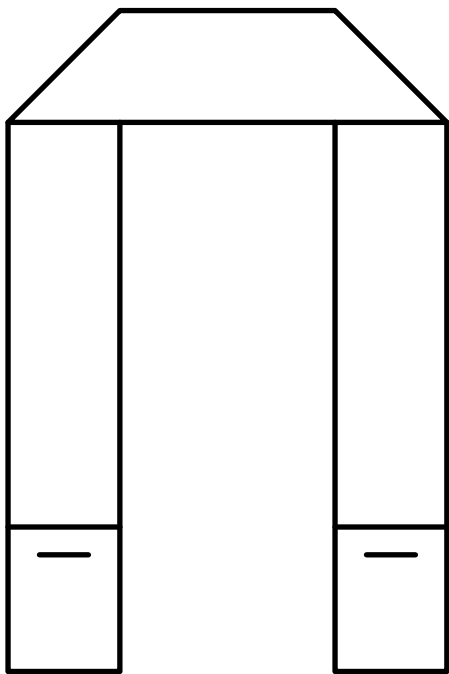


x2

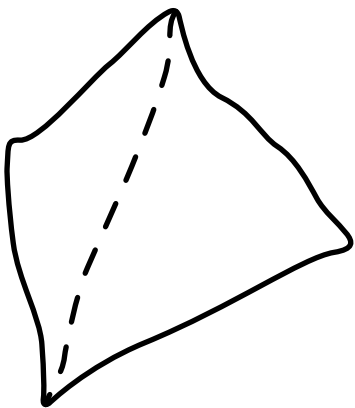


x8

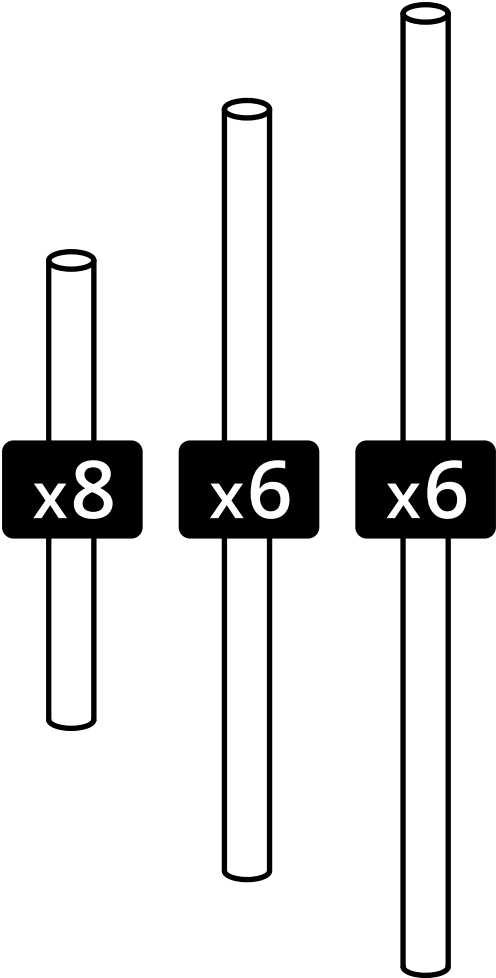




x25



x12





x12

