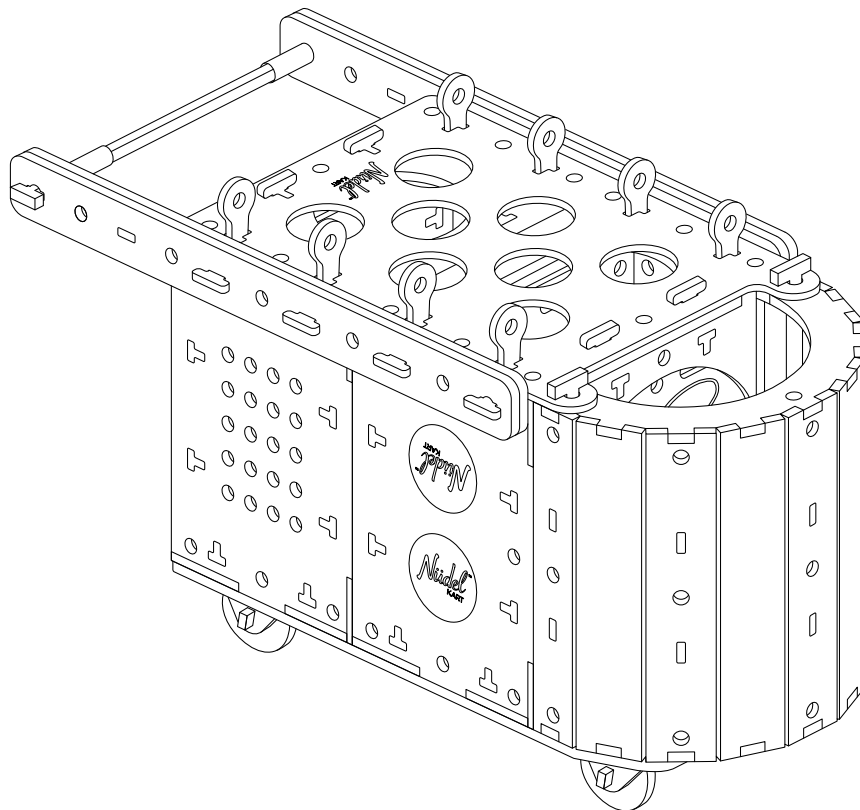




MINI MODEL CONSTRUCTION & PACK UP MANUAL

Age 6+ Some adult assembly may be required

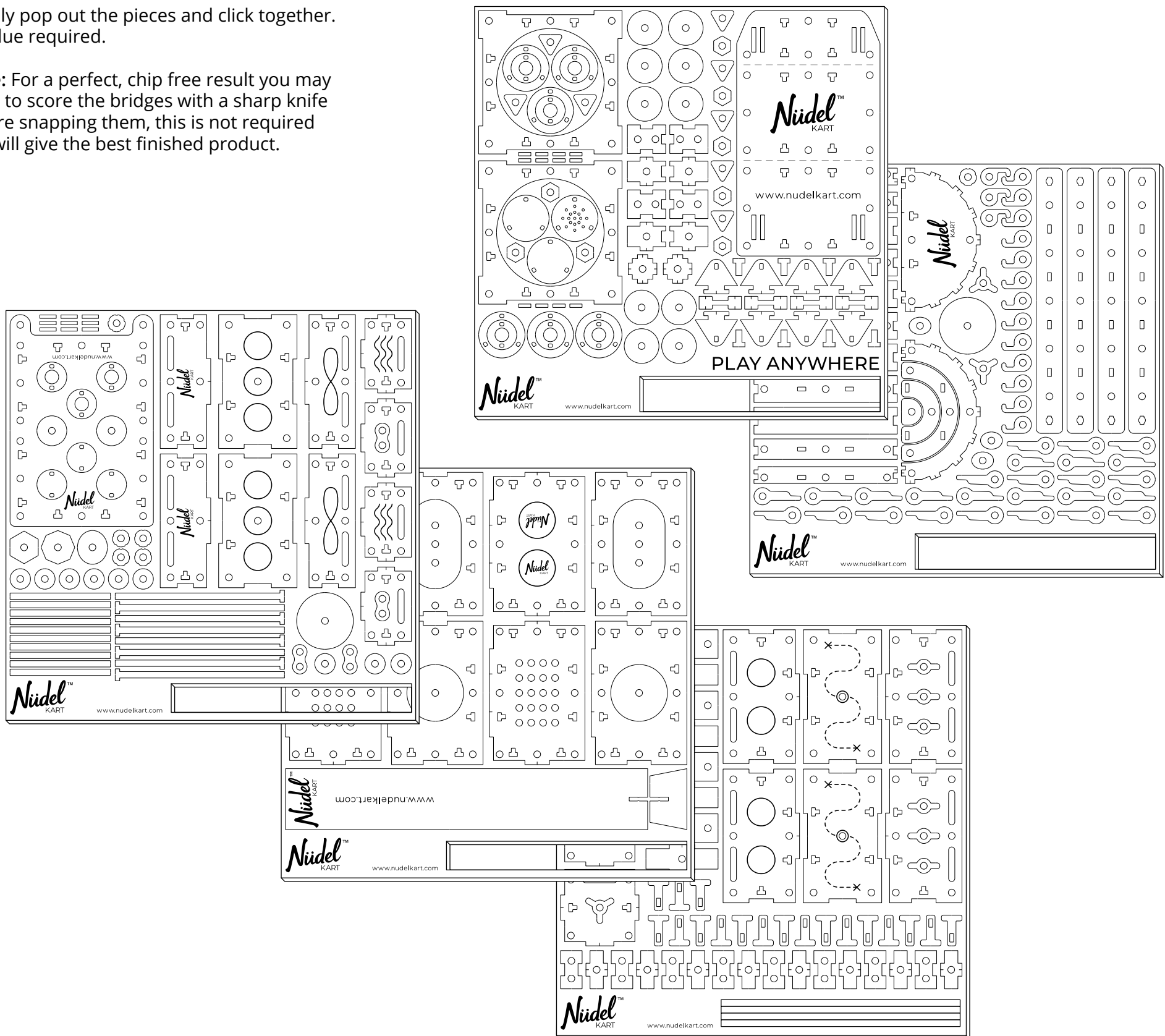


Kids need ideas to get inspired?
Get free videos and download-ables.
Visit <https://www.nudelkart.com/mini.html>

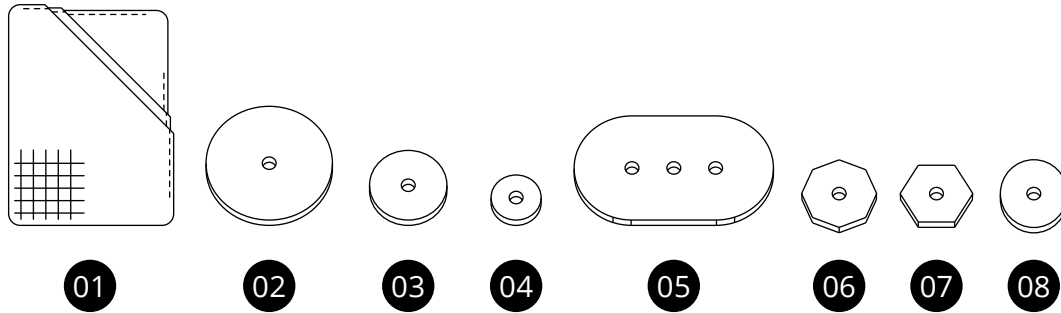
CONSTRUCTION

Simply pop out the pieces and click together.
No glue required.

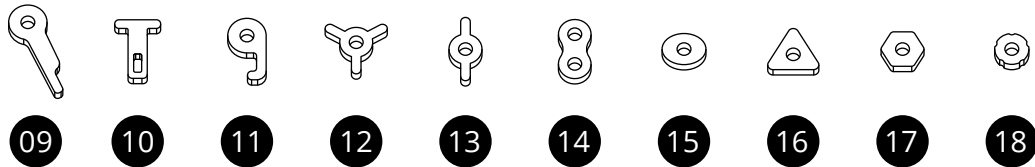
Note: For a perfect, chip free result you may want to score the bridges with a sharp knife before snapping them, this is not required but will give the best finished product.



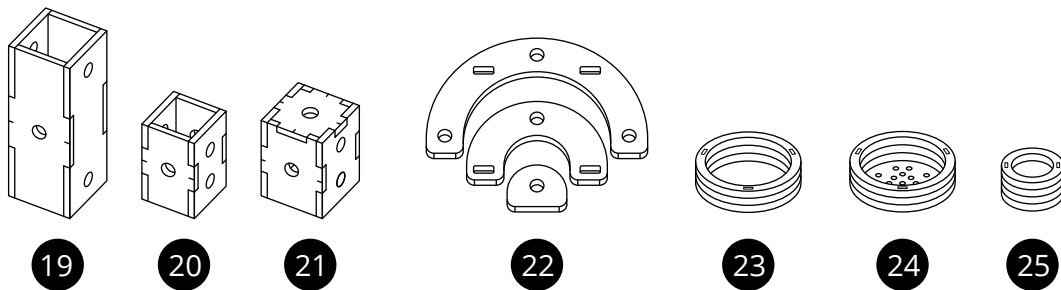
Play Pieces



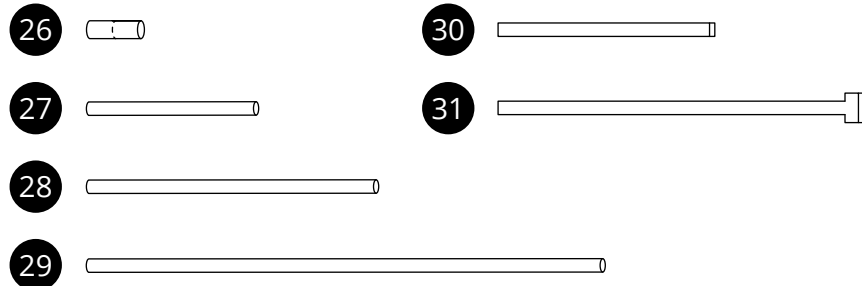
01 02 03 04 05 06 07 08



09 10 11 12 13 14 15 16 17 18



19 20 21 22 23 24 25

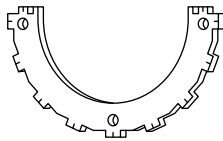
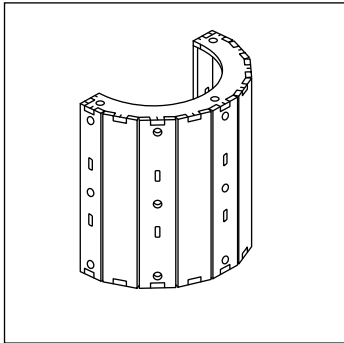


26 27 28 29 30 31

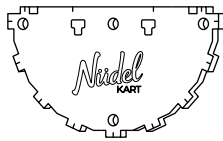
- 01. Netting Material x 6
- 02. Large Wheel x 4
- 03. Medium Wheel x 12
- 04. Small Wheel x 9
- 05. Large Oval x 2
- 06. Medium Octagon x 1
- 07. Medium Hexagon x 1
- 08. Medium Oval x 1
- 09. Key Peg x 26
- 10. T Peg x 18
- 11. #9 Peg x 16
- 12. Propeller 3 Points x 6
- 13. Propeller 2 Points x 6
- 14. Glasses x 4
- 15. Small Oval x 3
- 16. Small Triangle x 8
- 17. Small Hexagon x 8
- 18. Small Cog x 6
- 19. Large Tube x 2
- 20. Small Tube x 4
- 21. Funnel x 2
- 22. Rainbow x 1
- 23. Bowl x 2
- 24. Sieve x 1
- 25. Cup x 3
- 26. Connector Tube x 12
- 27. Short Play Tube x 4
- 28. Medium Play Tube x 4
- 29. Long Play Tube x 4
- 30. Short Wood Dowel x 10
- 31. Long Wood Dowel x 8

Parts For Construction

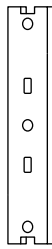
01. Wobble (x1)



x1



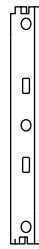
x1



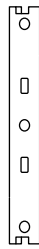
x3



x4

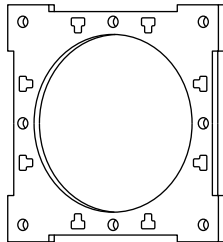
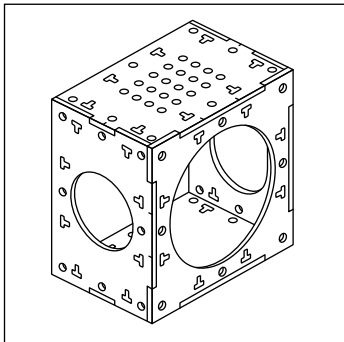


x2

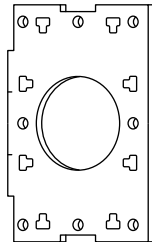


x2

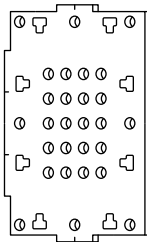
02. Big Box (x2)



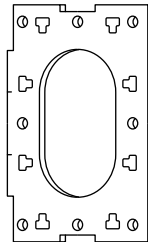
x2



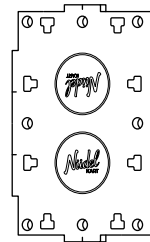
x2



x2

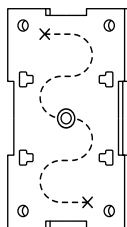
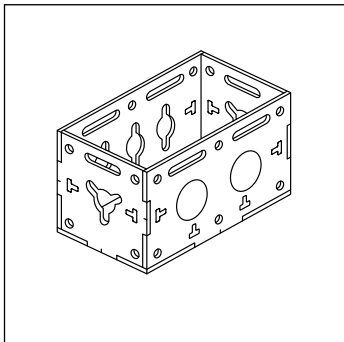


x2

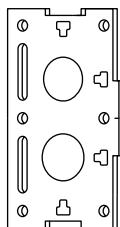


x2

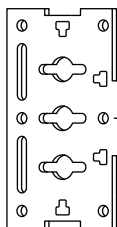
03. Large Drawer (x2)



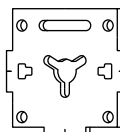
x2



x2

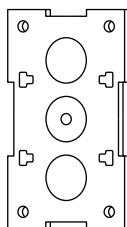
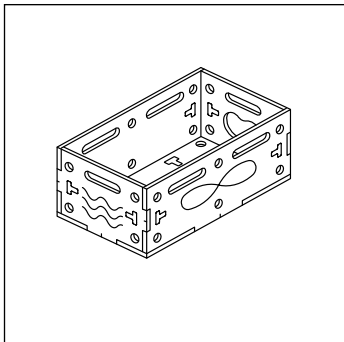


x2



x4

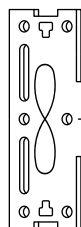
04. Small Drawer (x2)



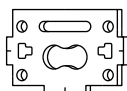
x2



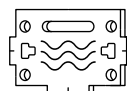
x2



x2

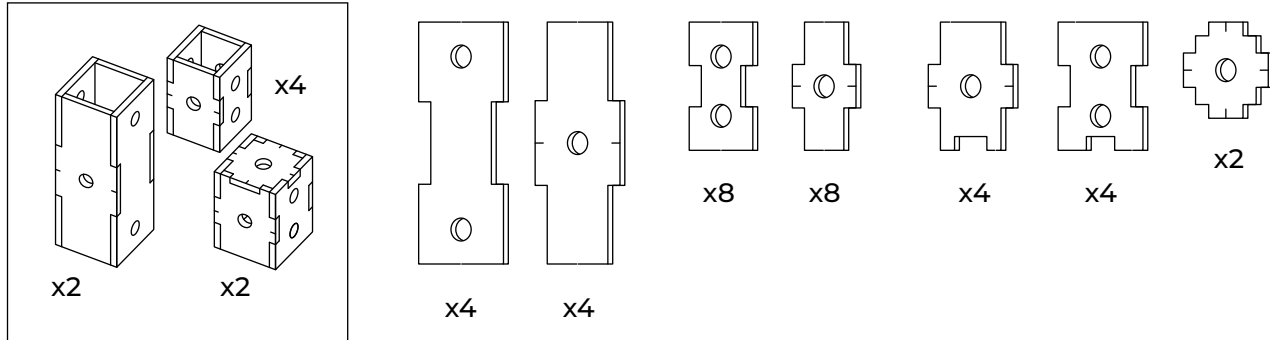


x2

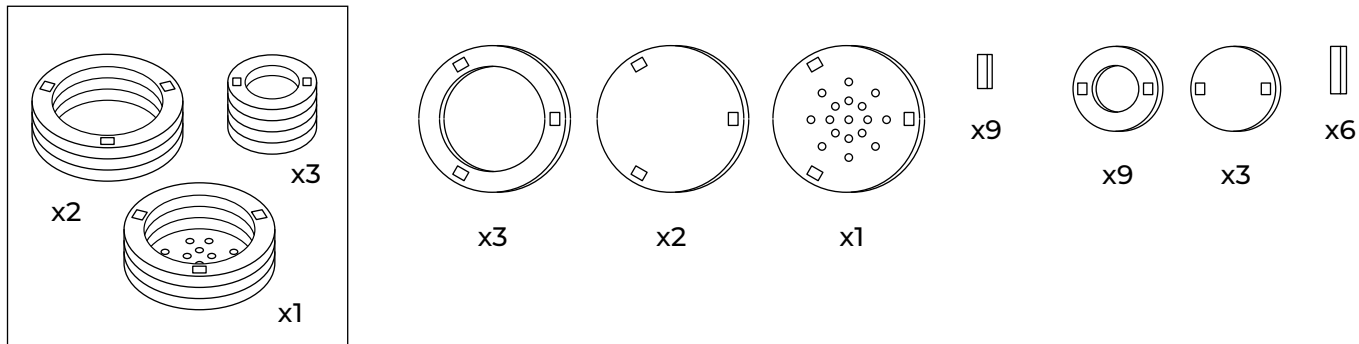


x2

05. Tubes & Funnels (x8)

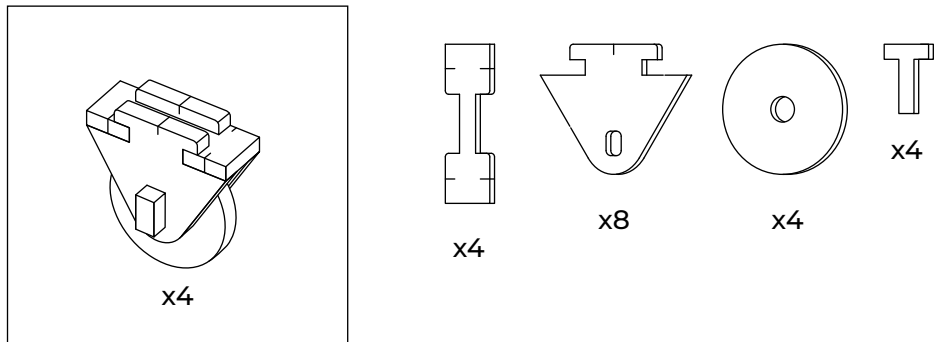


06. Bowls, Sieve & Cups (x6)

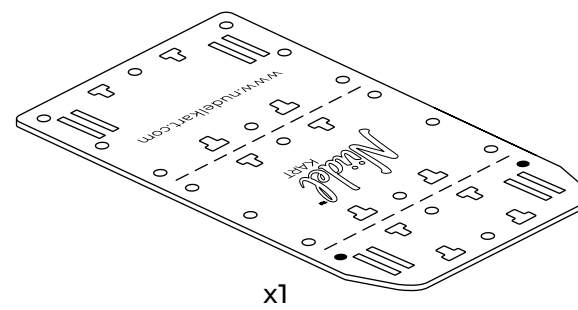


Sign (x1)

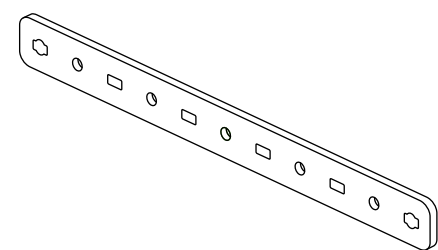
07. Wheels (x4)



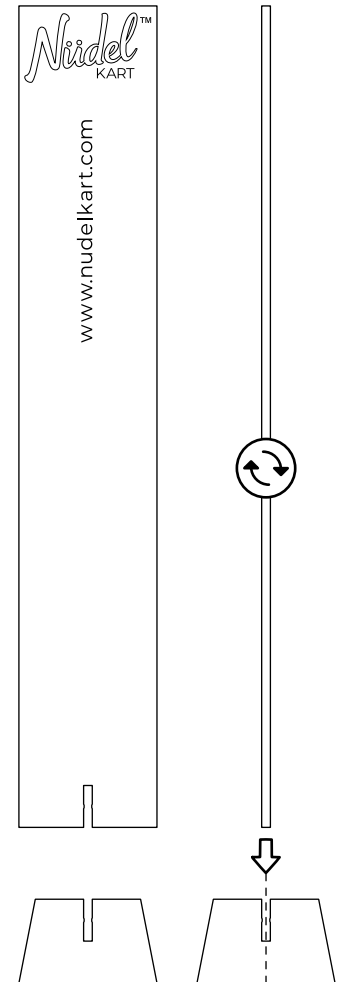
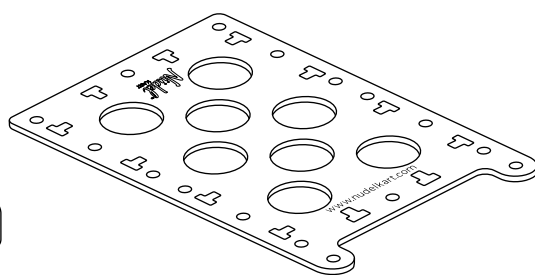
Base Board (x1)



Arms (x4)

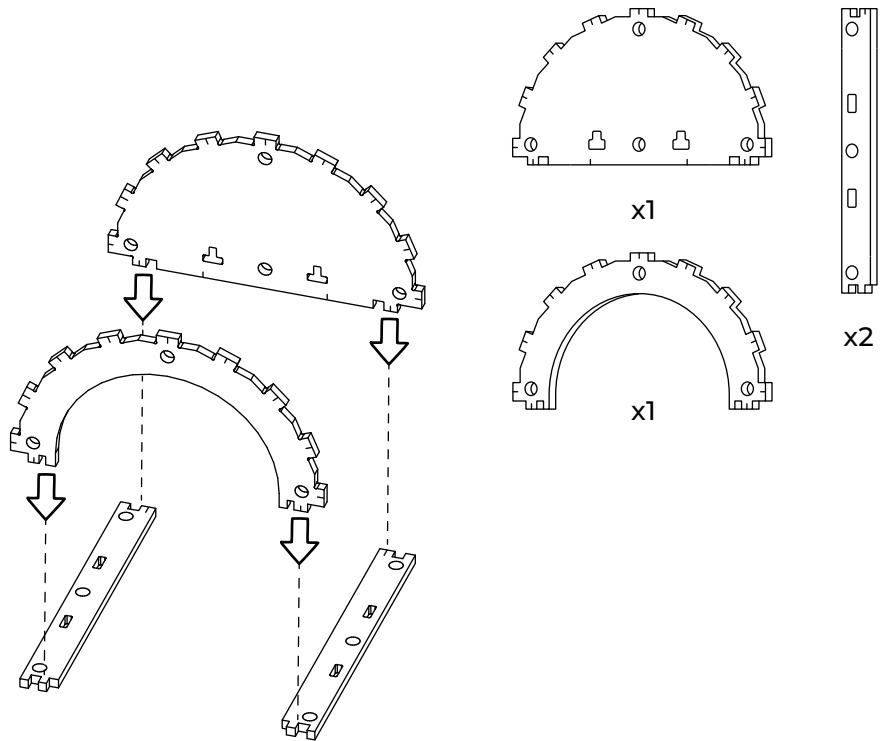


Holey Moley (x1)

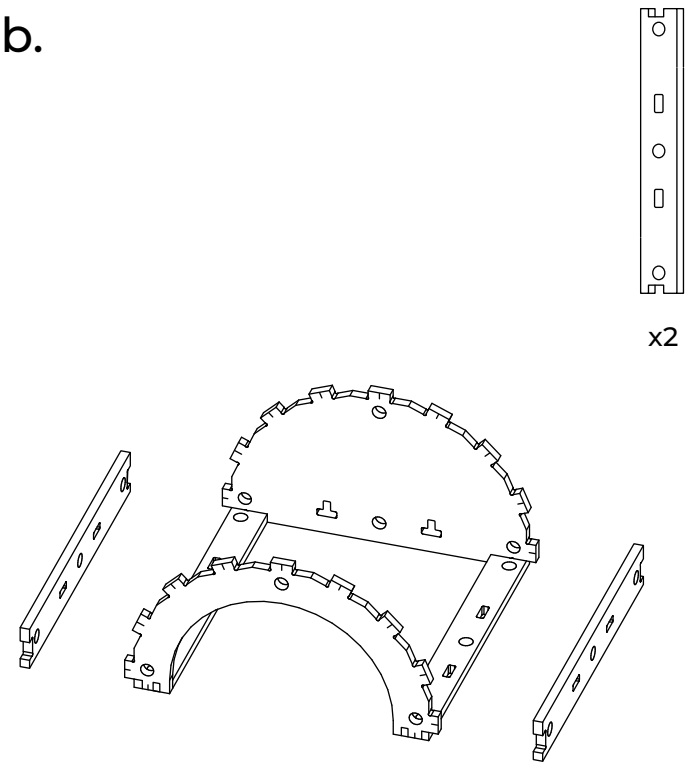


01. Wobble

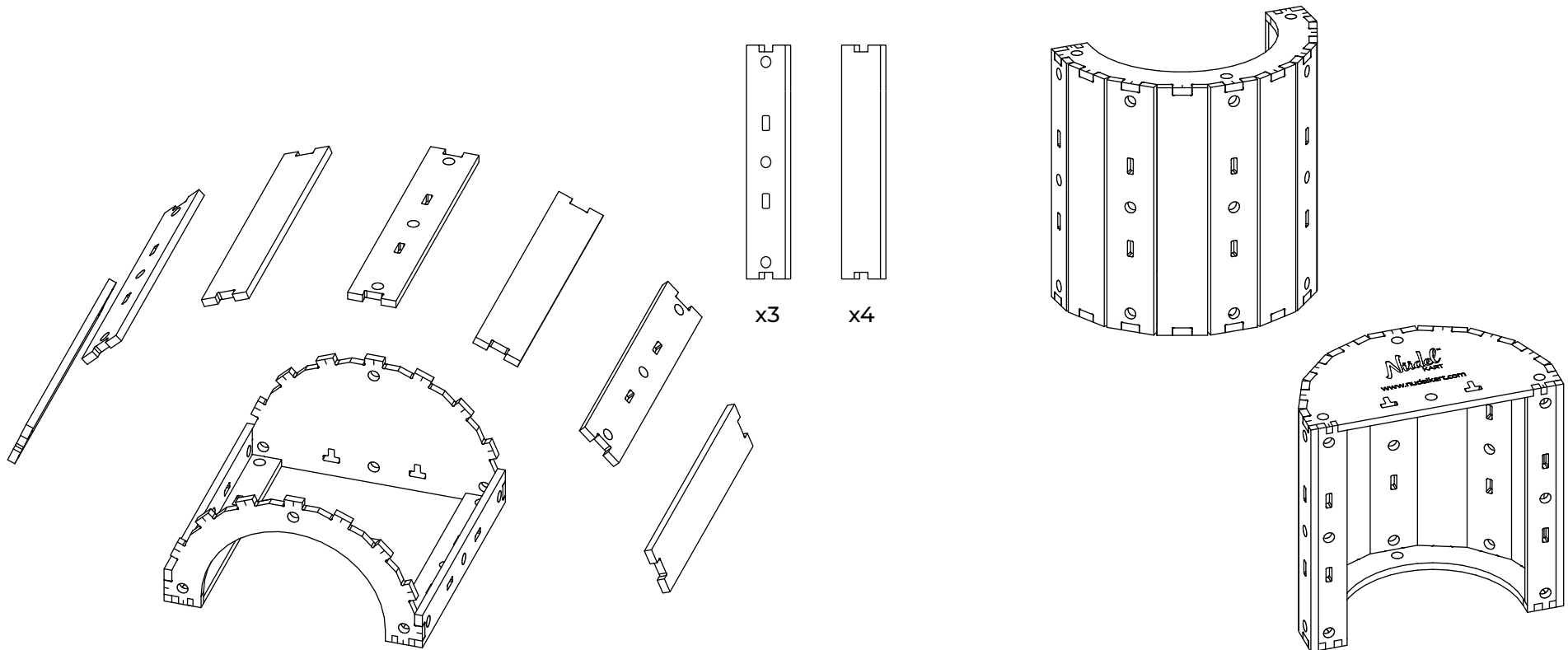
a.



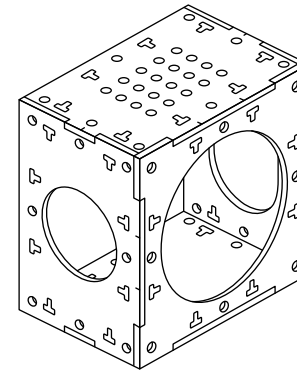
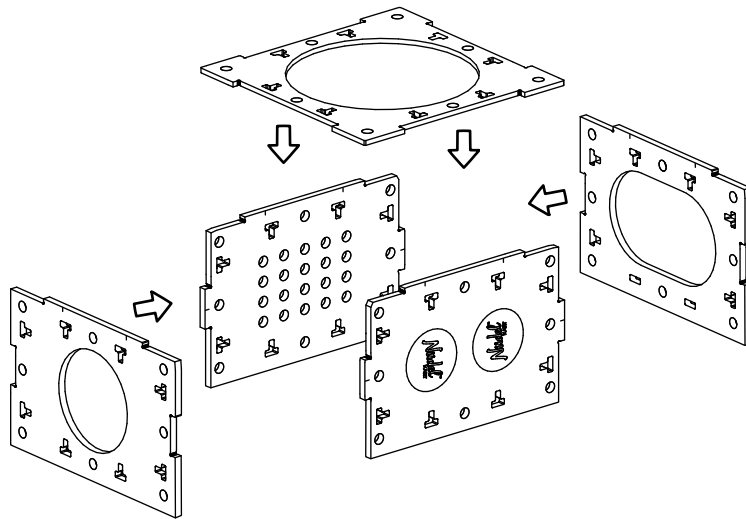
b.



c.

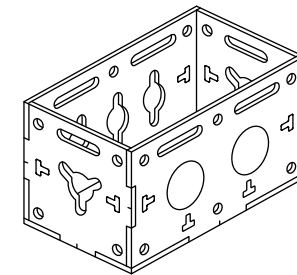
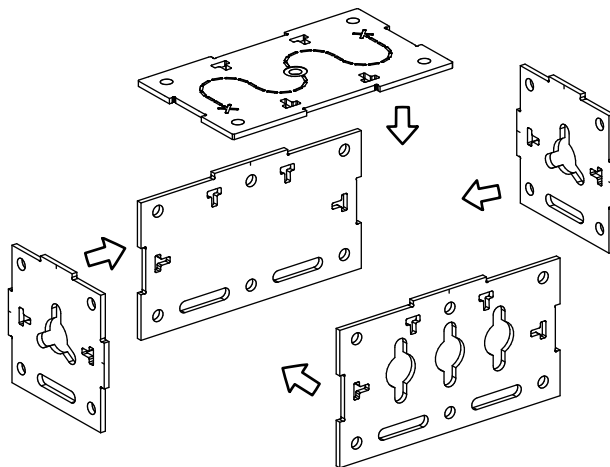


02. Big Box



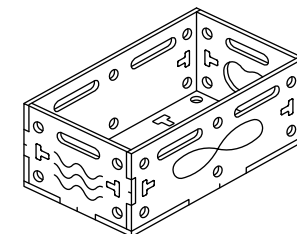
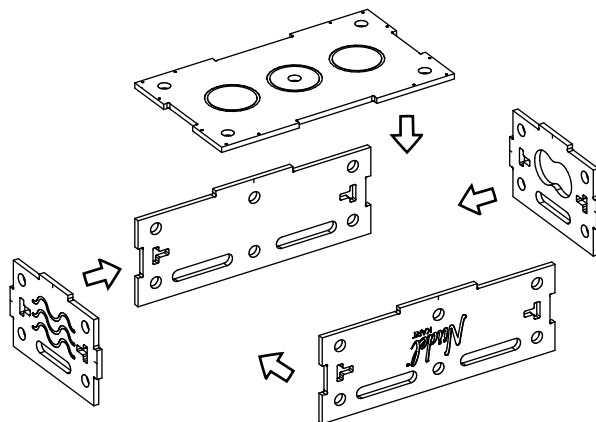
x2

03. Large Drawer



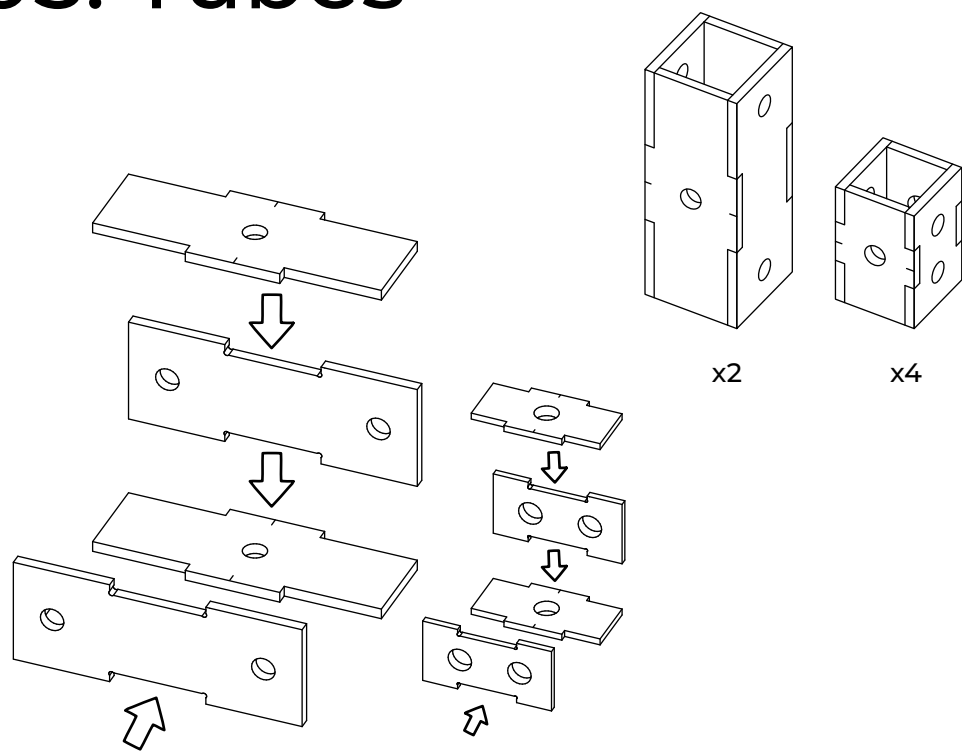
x2

04. Small Drawer

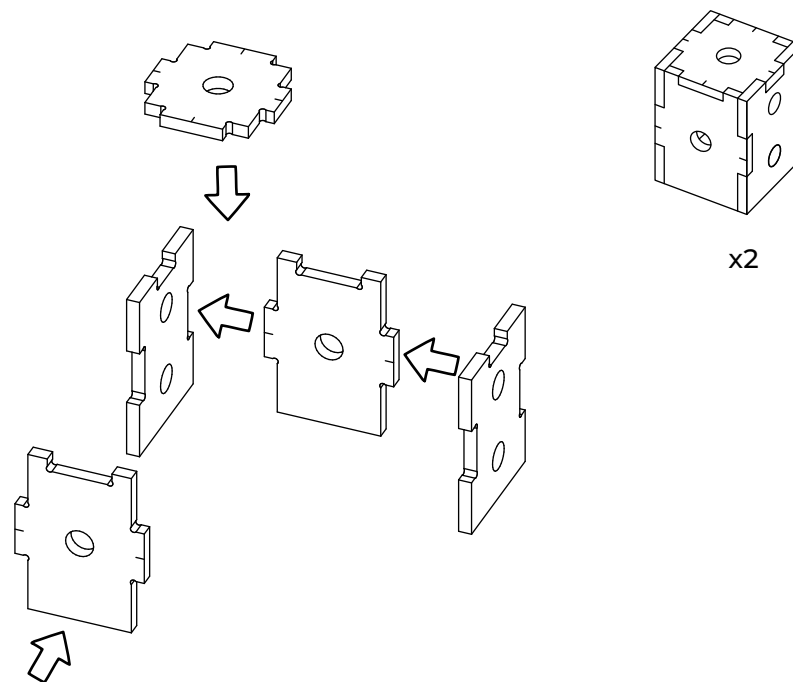


x2

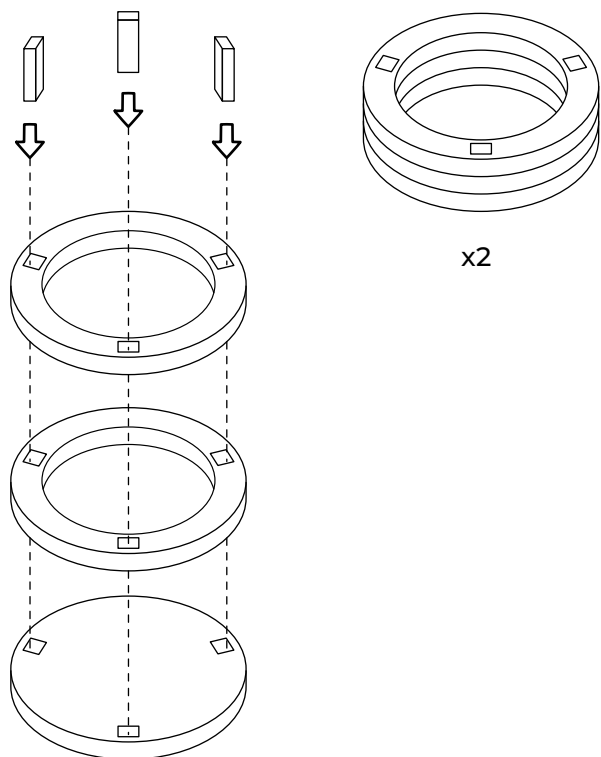
05. Tubes



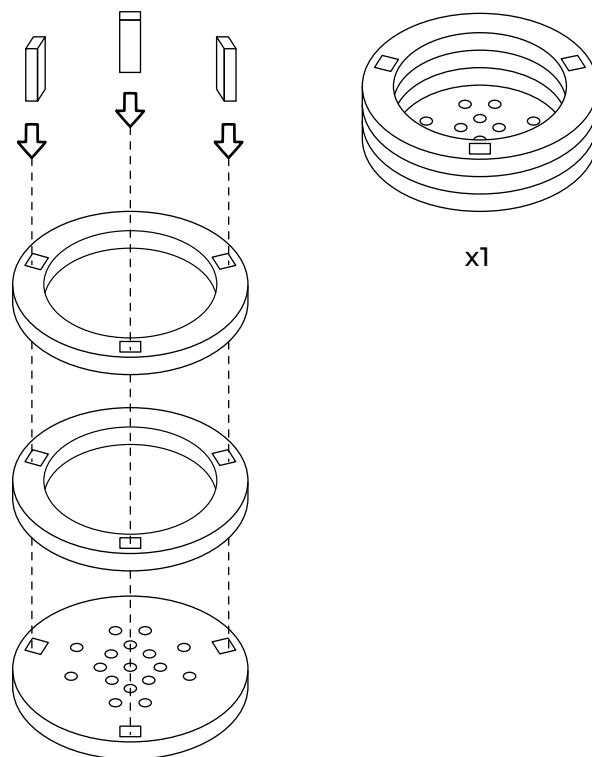
Funnel



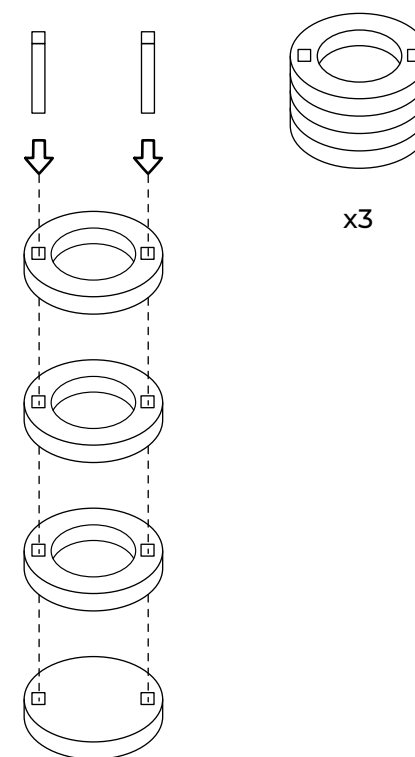
06. Bowls



Sieve



Cups



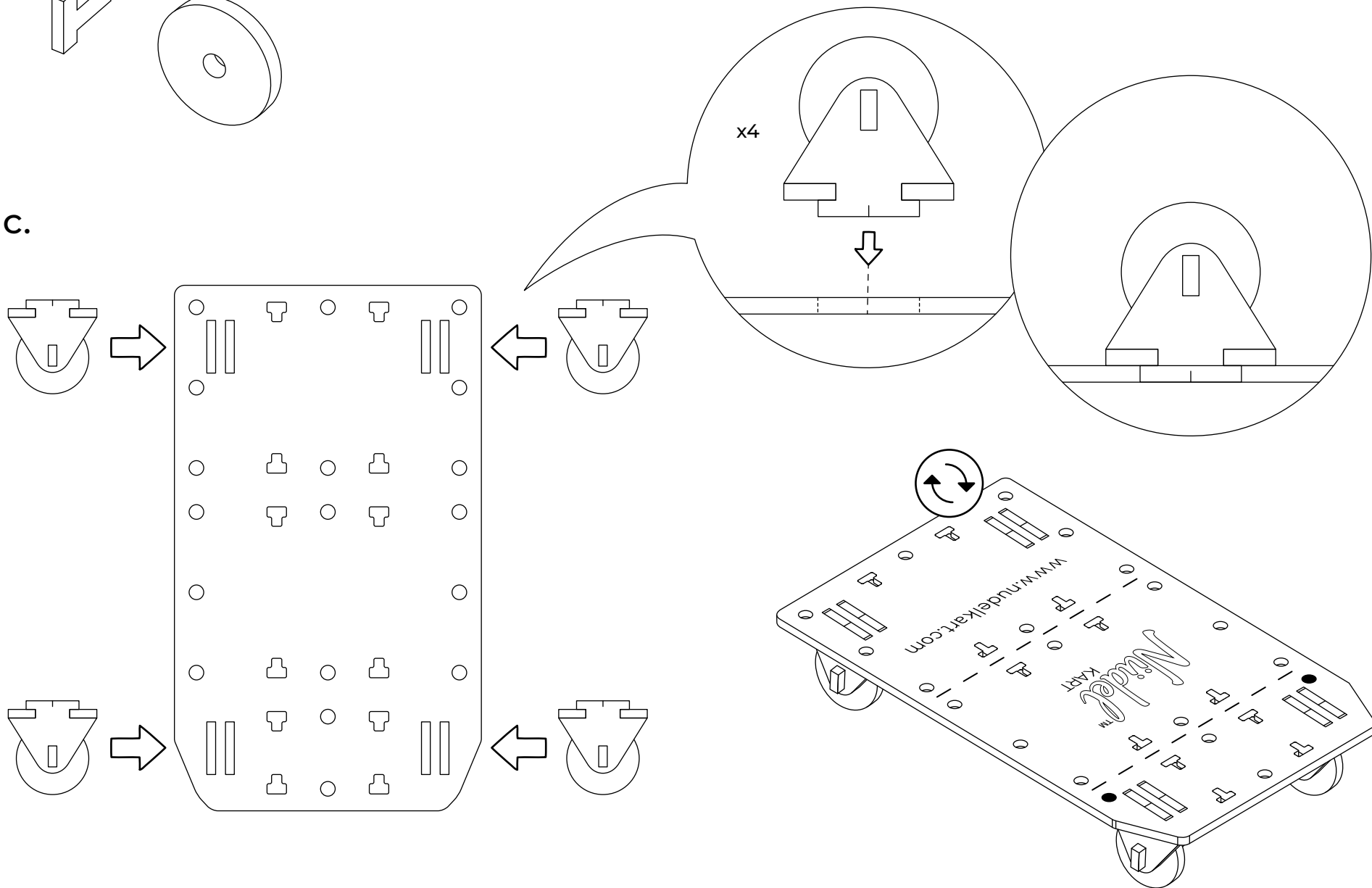
07. Wheels & Base Board

a.



x4

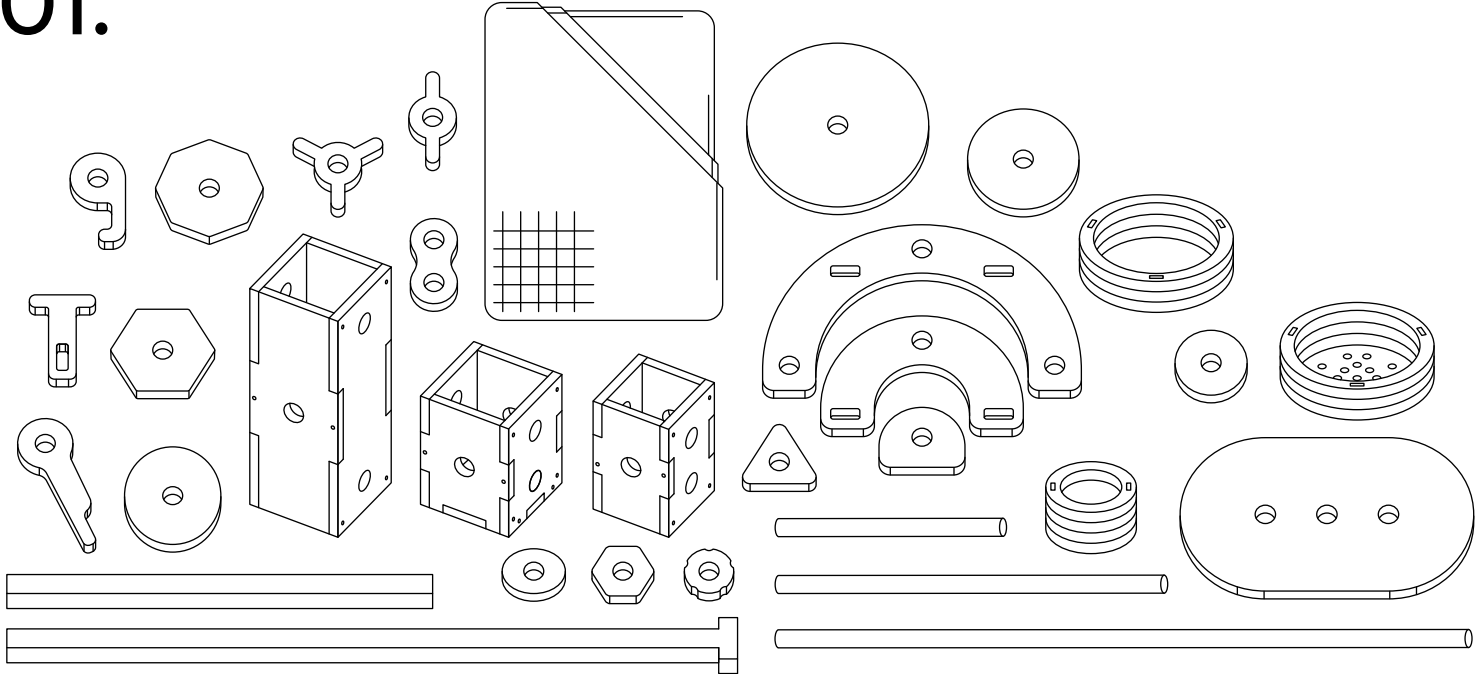
c.



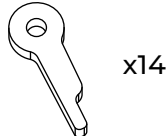
x4

PACK UP

01.



KEEP ASIDE



x14



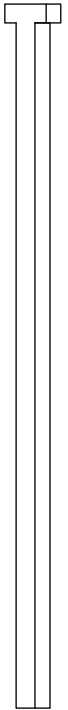
x12



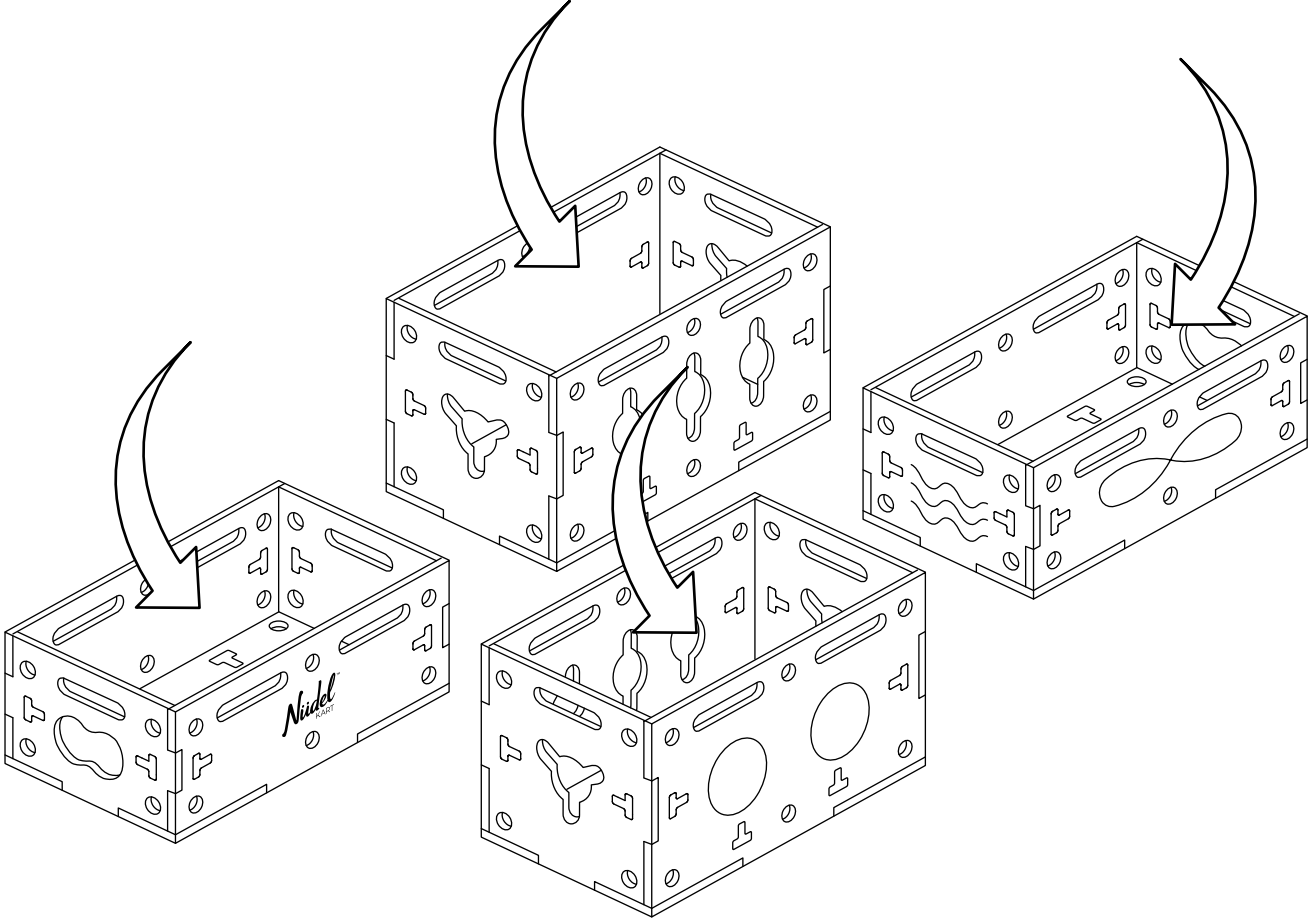
x6



x2

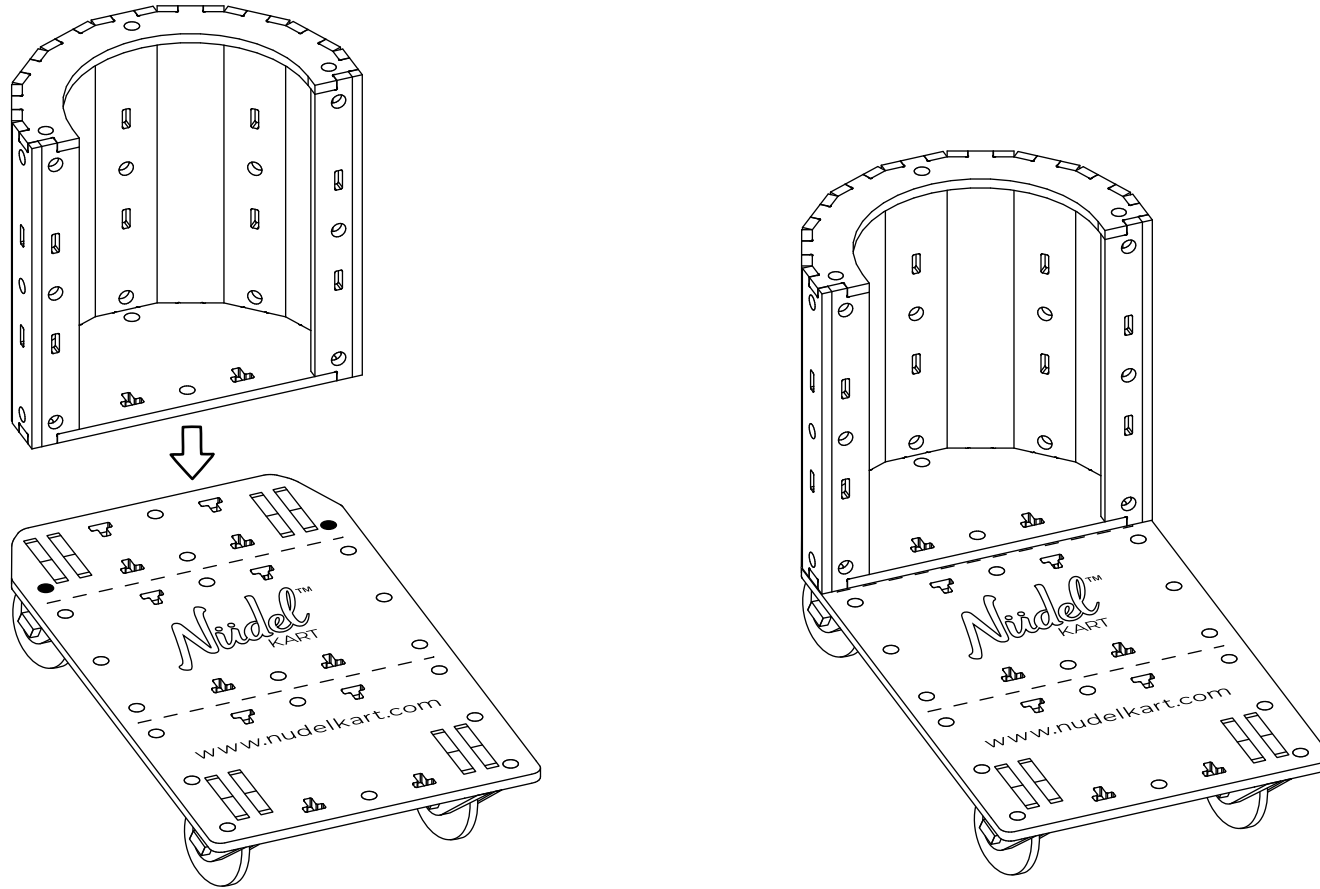


x3

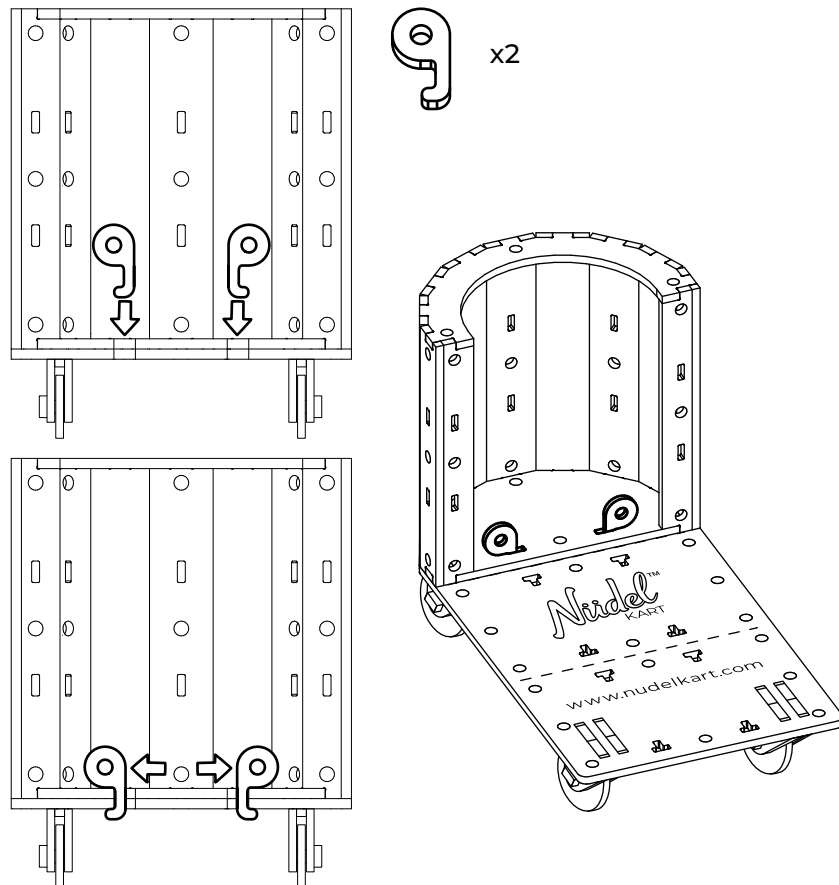


You will need these pieces for steps 2 to 14

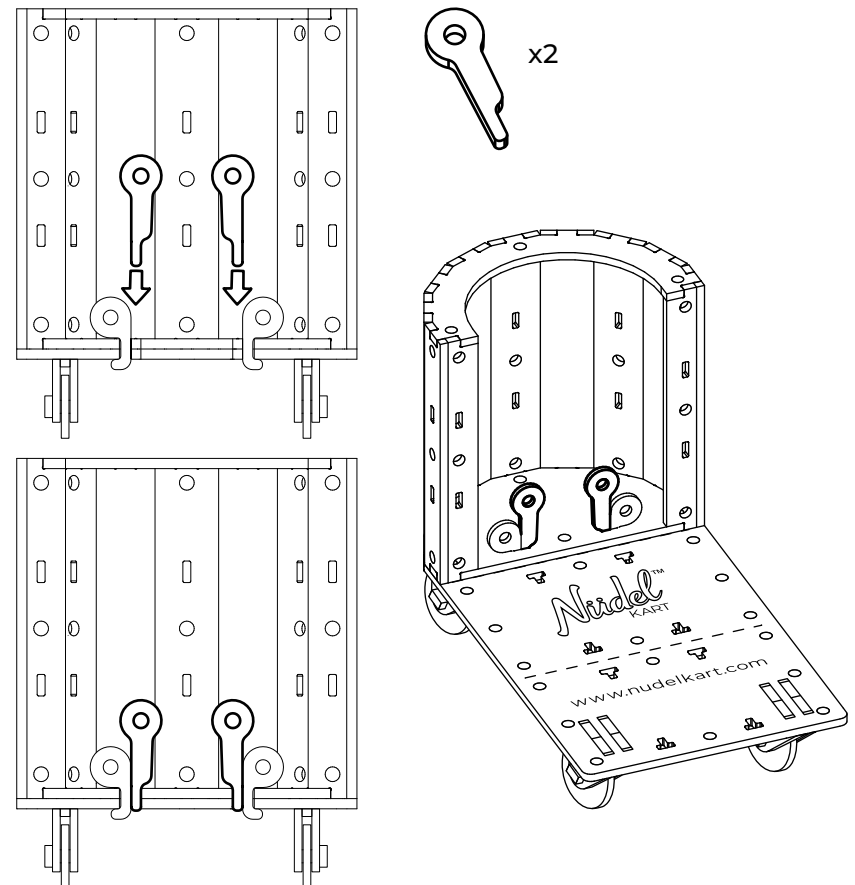
02.



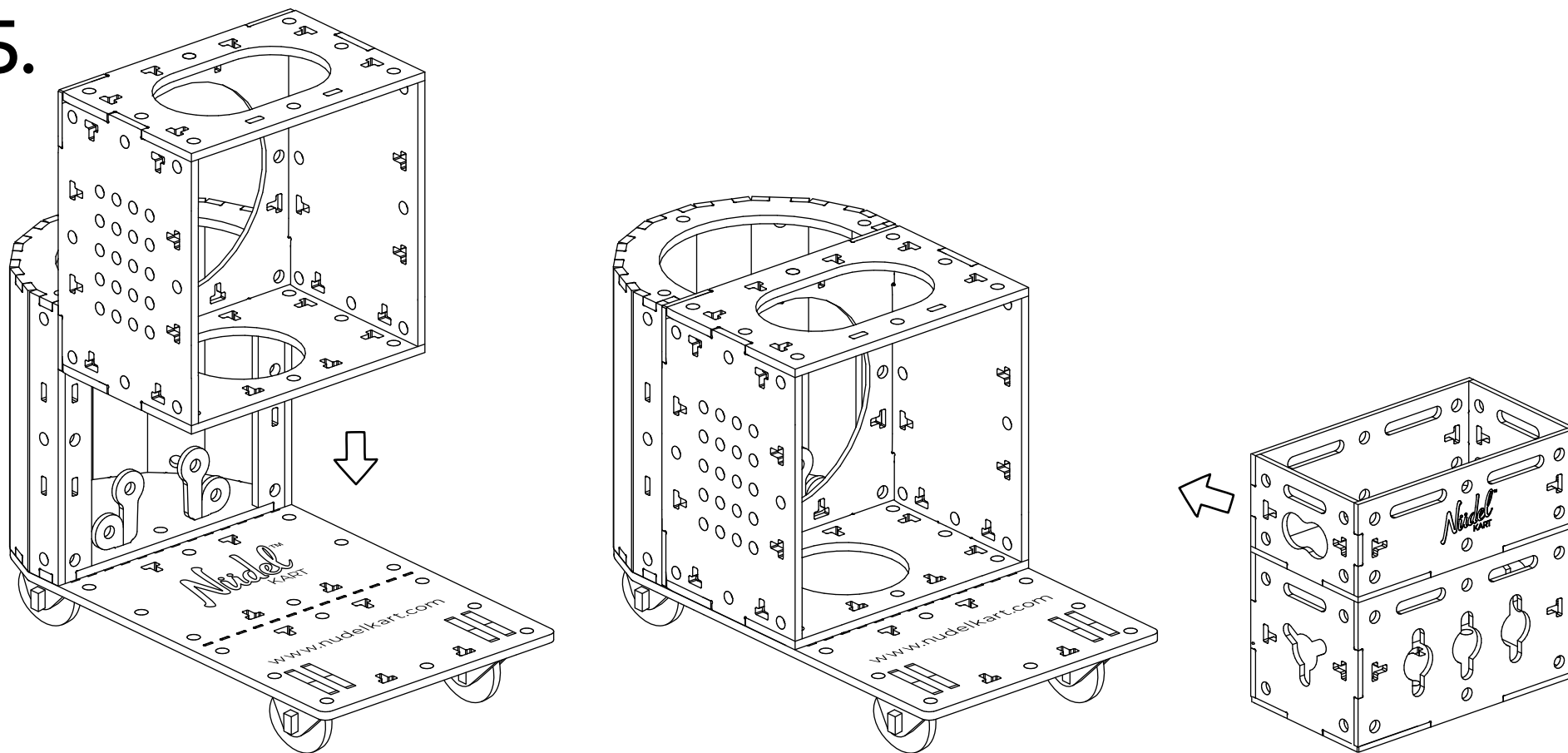
03.



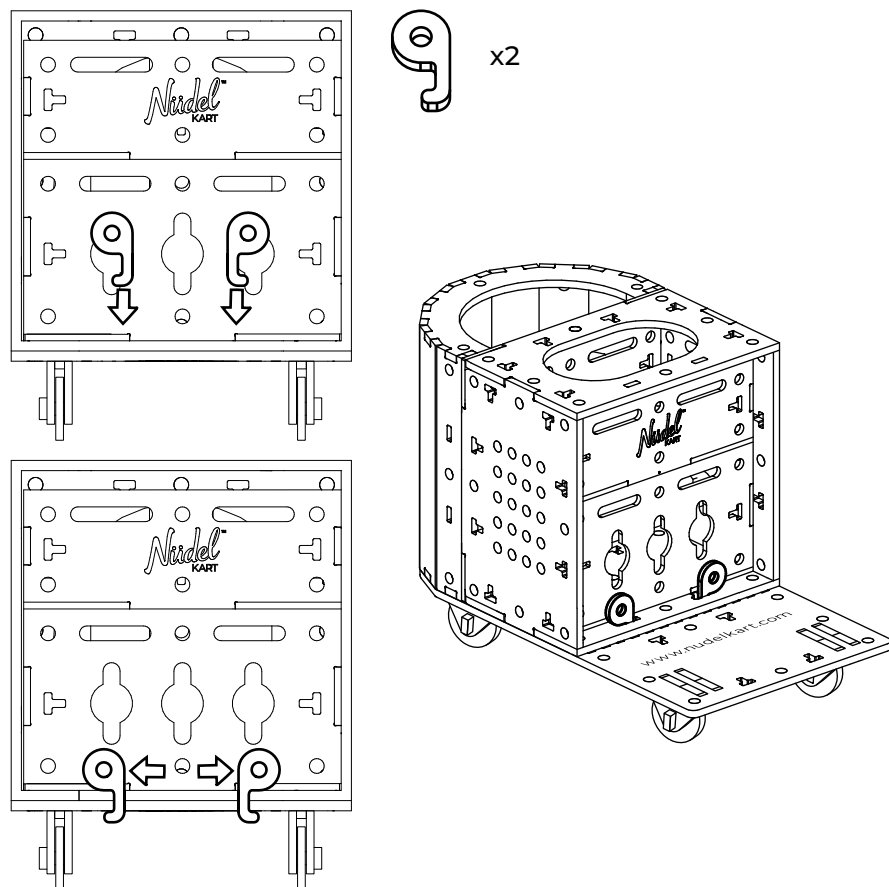
04.



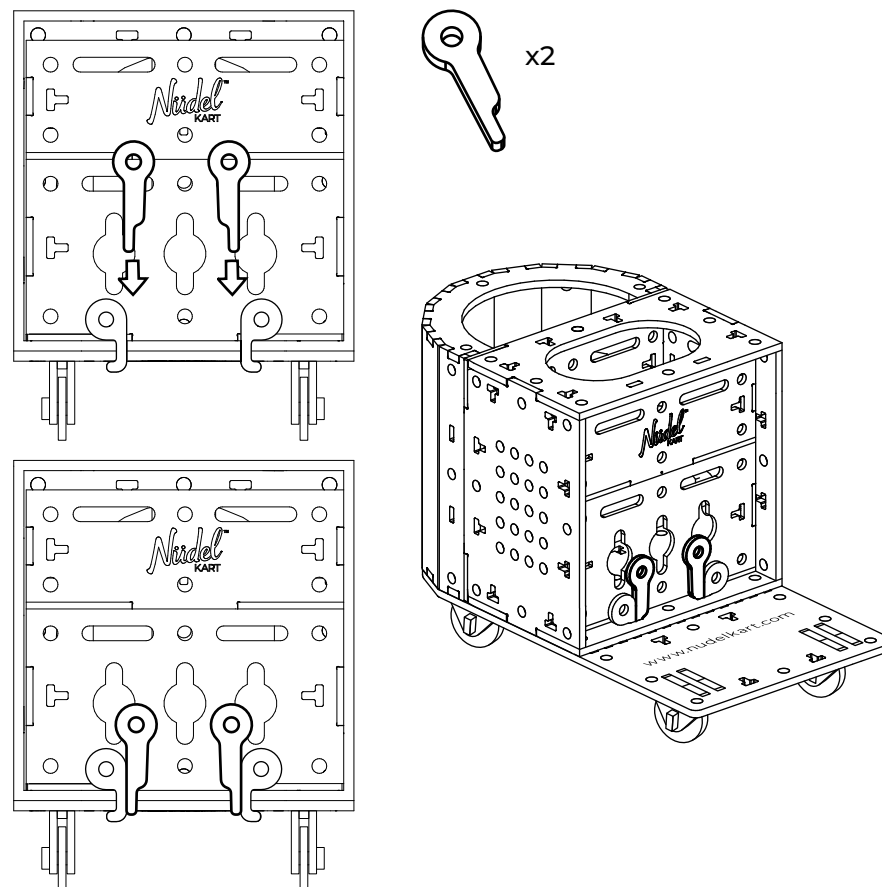
05.



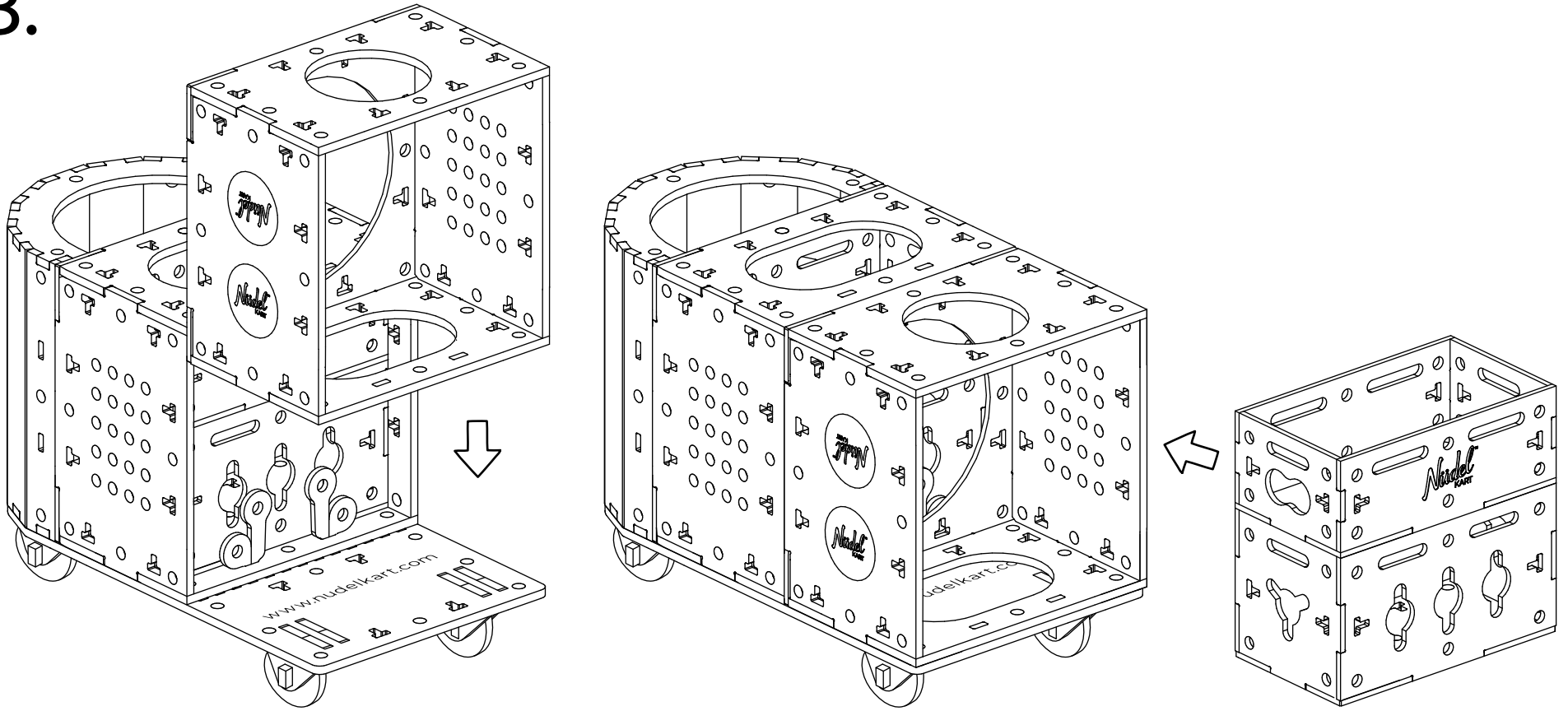
06.



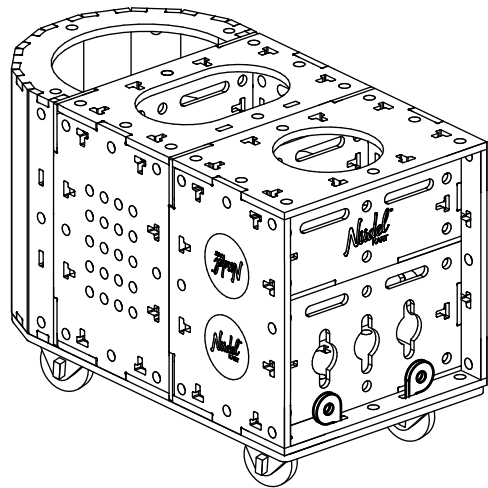
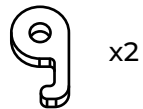
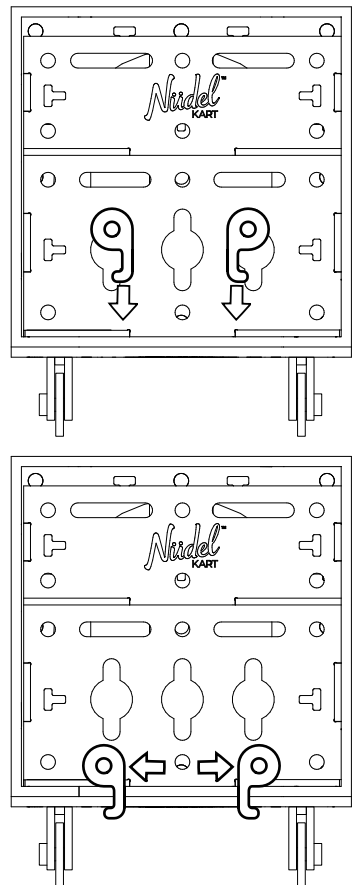
07.



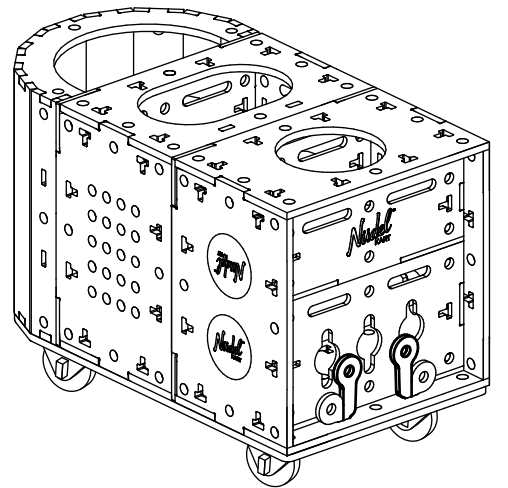
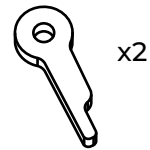
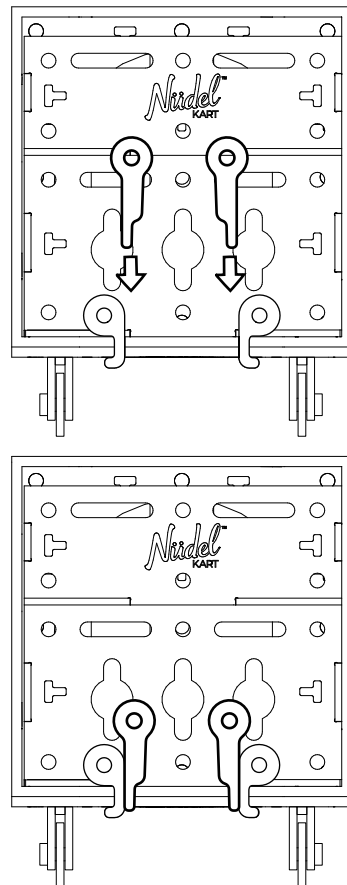
08.



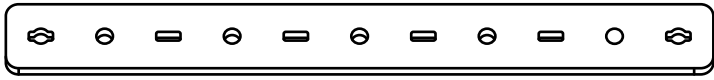
09.



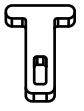
10.



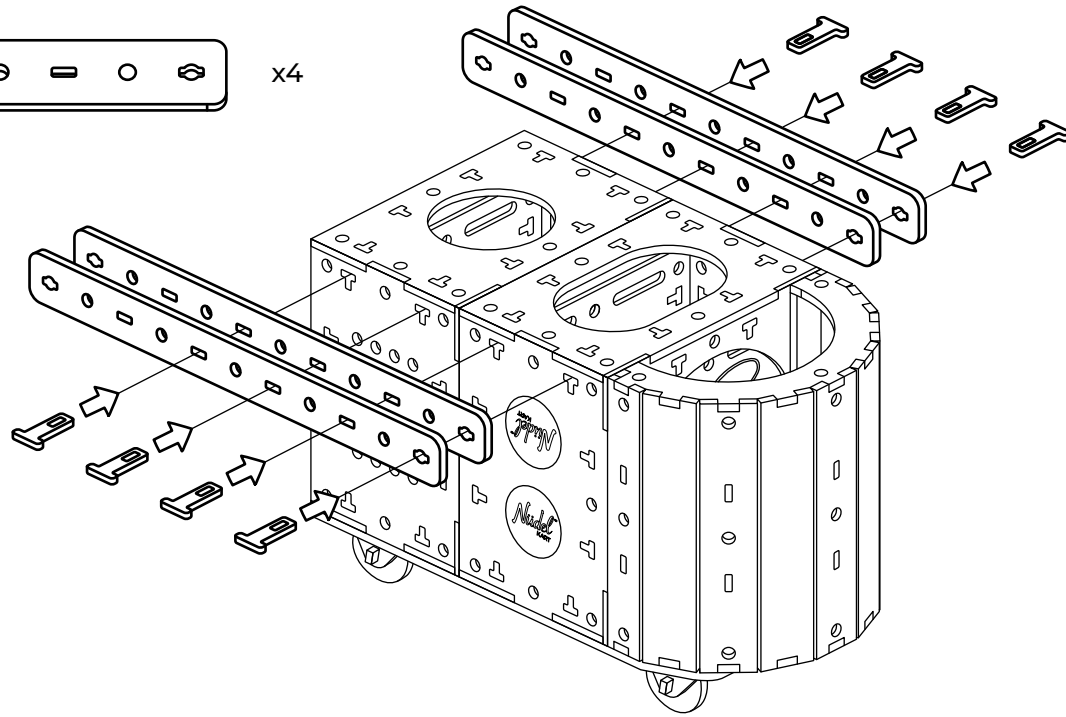
11.



x4



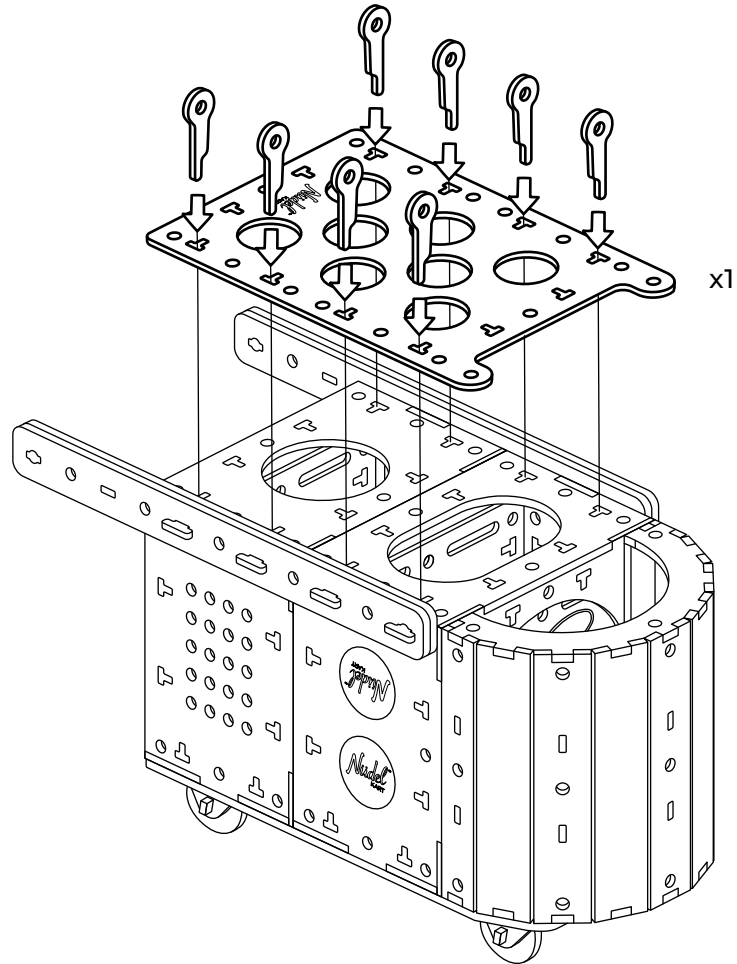
x8



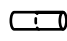
12.

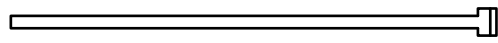


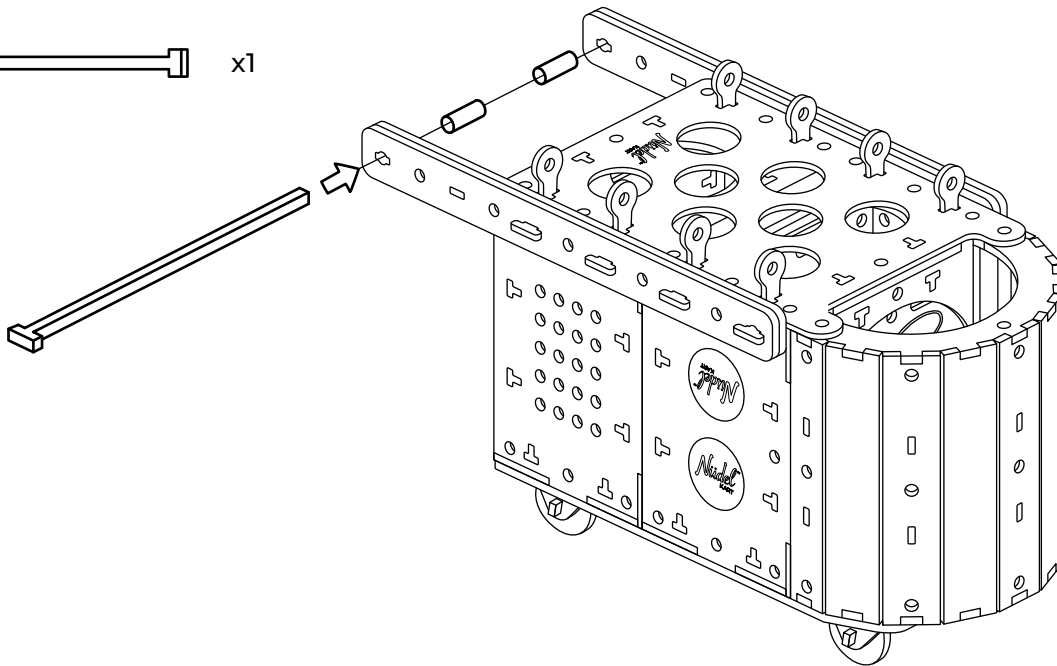
x8



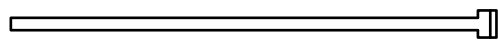
13.


 x2

 x1



14.

 x2

 x4

