

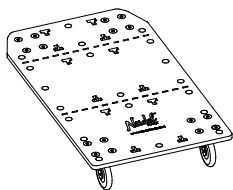


PACK UP CARDS

Steps to Pack Up

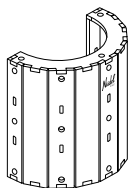
1. Ask children to sit down in designated area.
2. Show Card 1, place large pieces at rear of assembly area.
3. Choose one student to manage each drawer, hand out Card 7, 8, 9, 10. Make sure only those items go into designated drawers.
4. Direct children to place 4 drawers in front of assembly area.
5. Choose five students, hand out Card 2, 3, 4, 5, 6. Ask children to make piles of pieces on side of assembly area you select.
6. Once items in place, begin pack up process. Refer to Pack Up Manual for full instructions.

Base Board



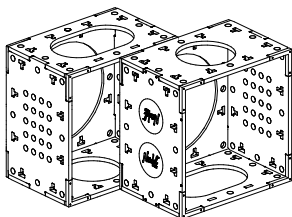
x1

Wobble



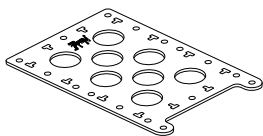
x1

Big Boxes



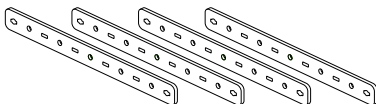
x2

Holey Moley



x1

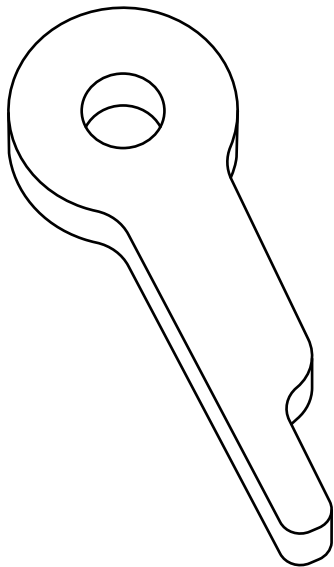
Arms



x4

Key Peg

14 REQUIRED FOR PACK UP
KEEP ASIDE, DO NOT PACK UP

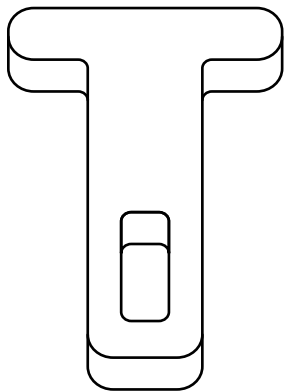


x24

PLACE ALL EXTRA PIECES IN KART AFTER PACK UP

T Peg

12 REQUIRED FOR PACK UP
KEEP ASIDE, DO NOT PACK UP

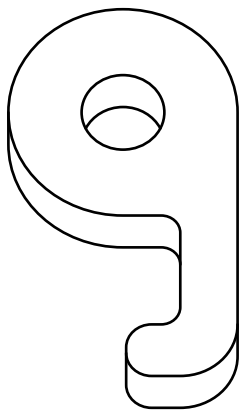


x14

PLACE ALL EXTRA PIECES IN KART AFTER PACK UP

#9 Peg

6 REQUIRED FOR PACK UP
KEEP ASIDE, DO NOT PACK UP



x12

PLACE ALL EXTRA PIECES IN KART AFTER PACK UP

Connector

2 REQUIRED FOR PACK UP
KEEP ASIDE, DO NOT PACK UP

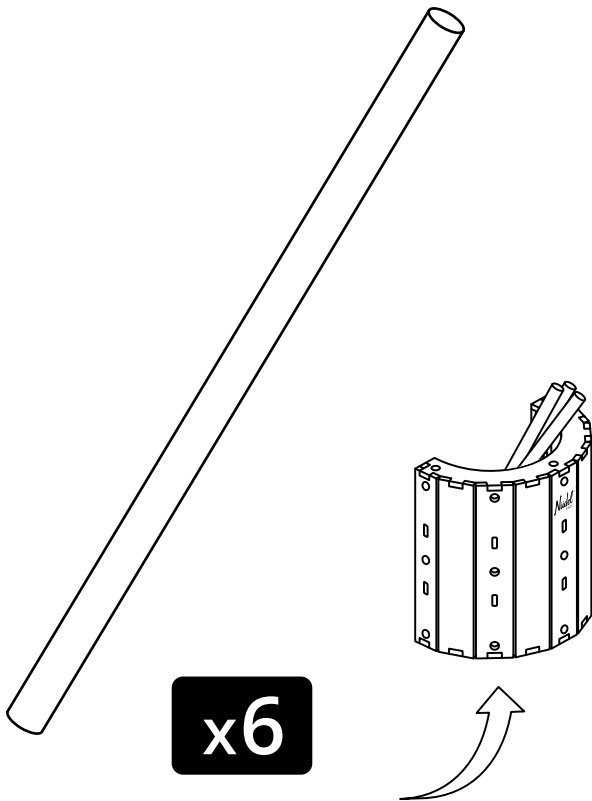


x12

PLACE ALL EXTRA PIECES IN KART AFTER PACK UP

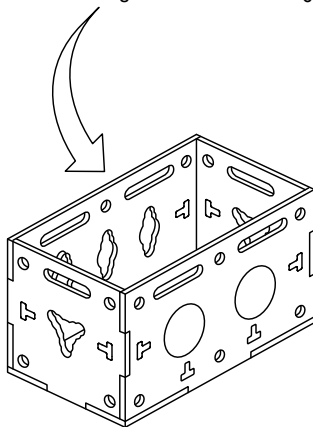
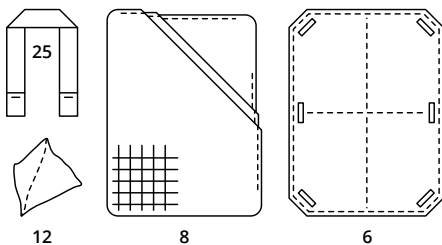
Wood Dowel (Longest)

3 REQUIRED FOR PACK UP
KEEP ASIDE, DO NOT PACK UP



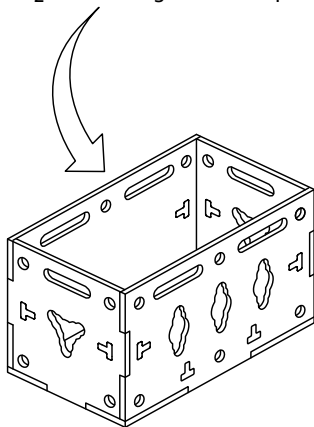
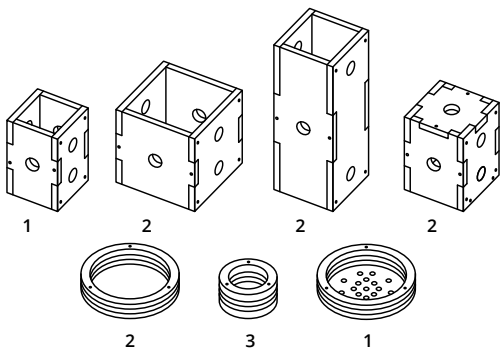
PLACE ALL EXTRAS IN WOBBLE AFTER PACK UP

Large Drawer



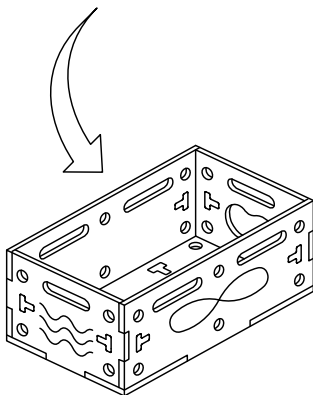
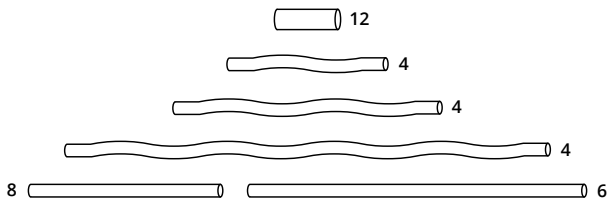
x1

Large Drawer



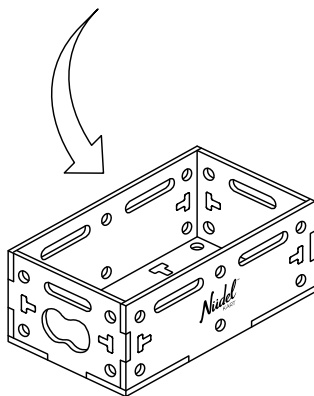
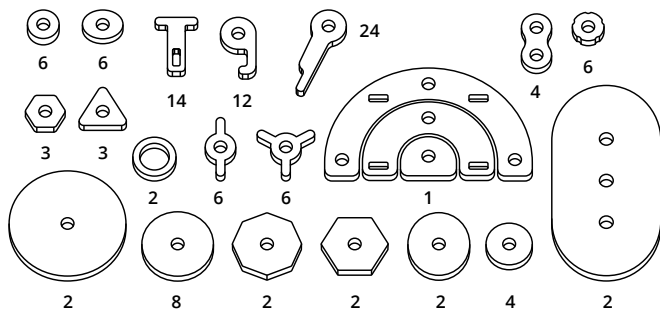
x1

Small Drawer



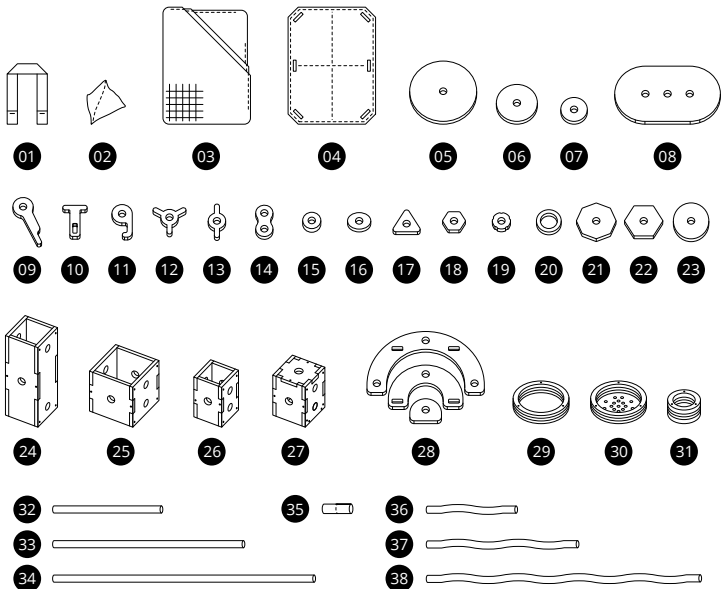
x1

Small Drawer



x1

Play Pieces

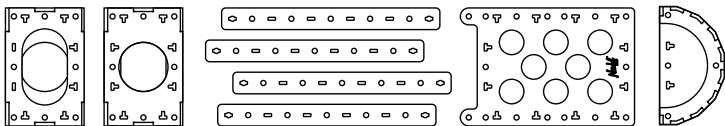


- 01. Straps x 25
- 02. Bean Bags x 12
- 03. Netting Material x 8
- 04. Canvas Sheets x 6
- 05. Large Wheel x 2
- 06. Med Wheel x 8
- 07. Small Wheel x 4
- 08. Large Oval x 2
- 09. Key Peg x 24
- 10. T Peg x 14
- 11. #9 Peg x 12
- 12. Propeller 3 Points x 6
- 13. Propeller 2 Points x 6

- 14. Glasses x 4
- 15. Small Coin x 6
- 16. Small Oval x 6
- 17. Small Triangle x 3
- 18. Small Hexagon x 3
- 19. Cog x 6
- 20. Ring x 2
- 21. Med Octagon x 2
- 22. Med Hexagon x 2
- 23. Med Oval x 2
- 24. Large Tube x 2
- 25. Med Tube x 2
- 26. Small Tube x 1

- 27. Funnel x 2
- 28. Rainbow x 1
- 29. Bowl x 2
- 30. Sieve x 1
- 31. Cup x 3
- 32. Short Wood Dowel x 8
- 33. Med Wood Dowel x 6
- 34. Long Wood Dowel x 6
- 35. Connector Tube x 12
- 36. Short Play Tube x 4
- 37. Med Play Tube x 4
- 38. Long Play Tube x 4

Assembly Area



SUPERVISOR



KEEP ASIDE

