



PACK UP CARDS

Steps to Pack Up

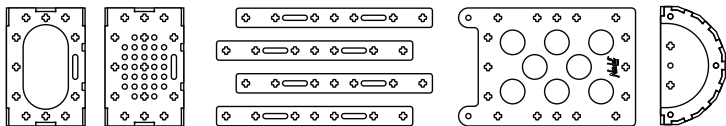
Please Note: It's not necessary to use this pack up method but we have created these cards if people want a more organised pack up or feel unconfident and are looking for a step-by-step guide.

1. Ask children to sit down in designated area.
2. Show Card ②, place large pieces at rear of pack up area.
3. Choose one student to manage each drawer, hand out Card ⑧, ⑨, ⑩, ⑪. Make sure only those items go into designated drawers.
4. Direct children to place 4 drawers in front of supervisor.
5. Choose five students, hand out Card ③, ④, ⑤, ⑥, ⑦. Ask children to make piles of pieces on side of pack up area you select.
6. Once items in place, begin pack up process. Refer to Pack Up Manual for full instructions.

Always keep these Pack Up Cards with the Nüdel Kart.
Nüdel Kart is by Playground Ideas, July 2021.
Batch No: NK30V20721. Factory H1. nudelkart.com

①

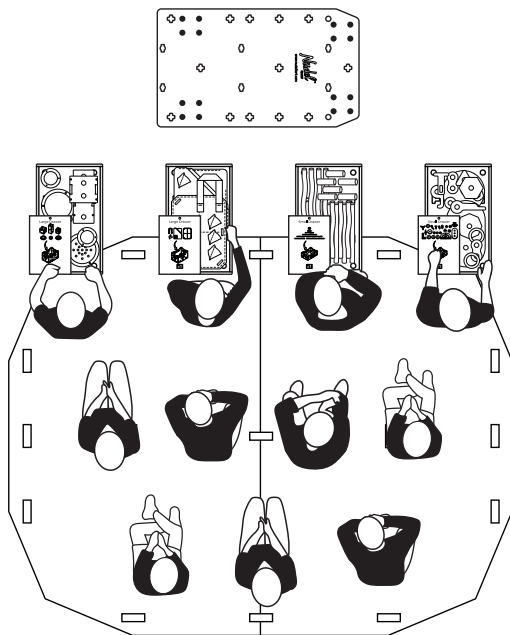
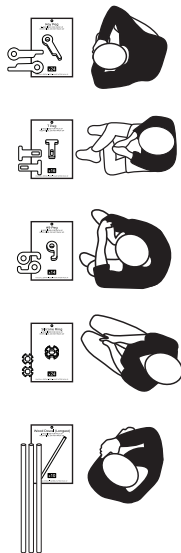
Pack Up Area



SUPERVISOR

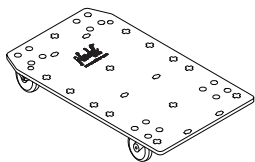


KEEP ASIDE



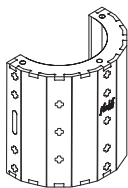
2

Base Board



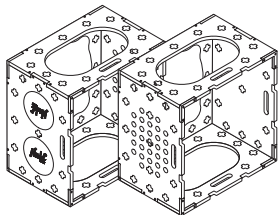
x1

Wobble



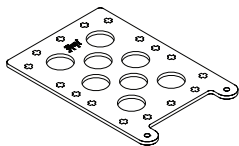
x1

Big Boxes



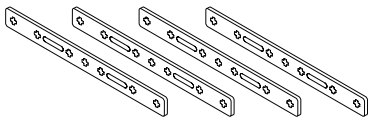
x2

Holey Moley



x1

Arms

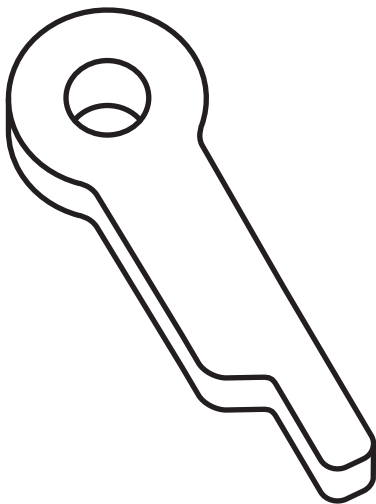


x4

3

Key Peg

14 REQUIRED FOR PACK UP
KEEP ASIDE, DO NOT PACK UP



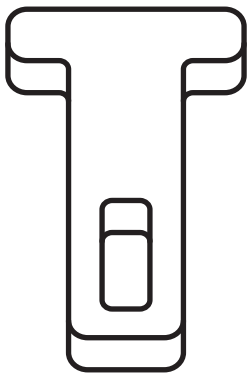
x24

PLACE ALL EXTRA PIECES IN KART AFTER PACK UP

④

T Peg

8 REQUIRED FOR PACK UP
KEEP ASIDE, DO NOT PACK UP



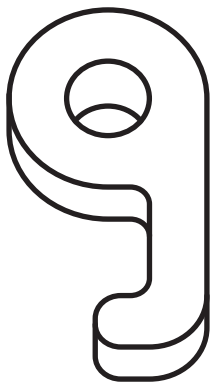
x16

PLACE ALL EXTRA PIECES IN KART AFTER PACK UP

5

#9 Peg

6 REQUIRED FOR PACK UP
KEEP ASIDE, DO NOT PACK UP



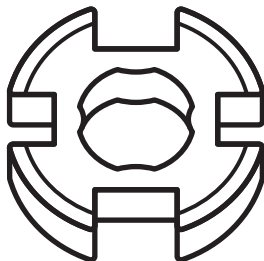
x14

PLACE ALL EXTRA PIECES IN KART AFTER PACK UP

6

Silicone Ring

4 REQUIRED FOR PACK UP
KEEP ASIDE, DO NOT PACK UP



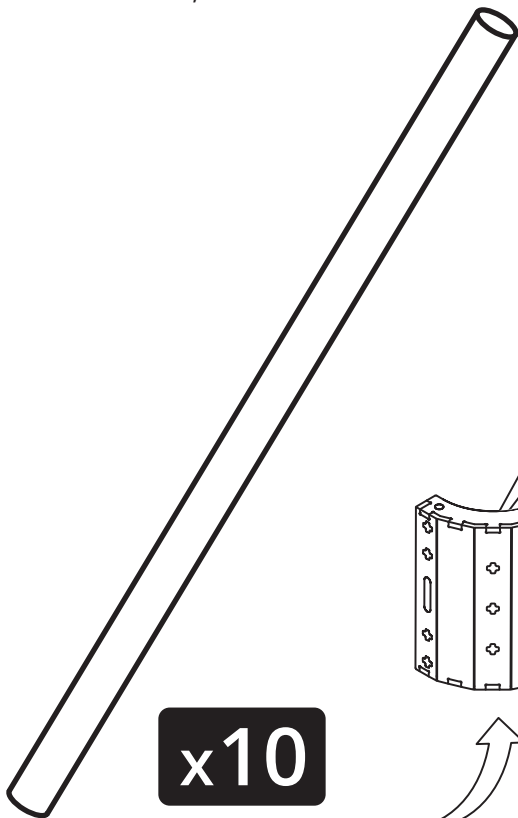
x24

PLACE ALL EXTRA PIECES IN KART AFTER PACK UP

⑦

Wood Dowel (Longest)

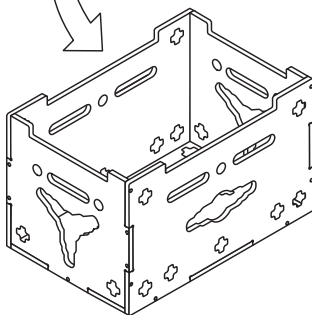
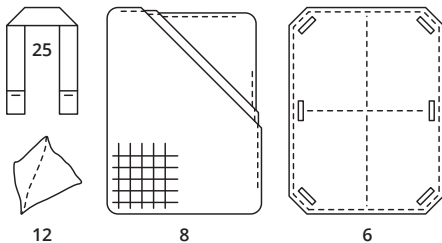
3 REQUIRED FOR PACK UP
KEEP ASIDE, DO NOT PACK UP



PLACE ALL EXTRAS IN WOBBLE AFTER PACK UP

8

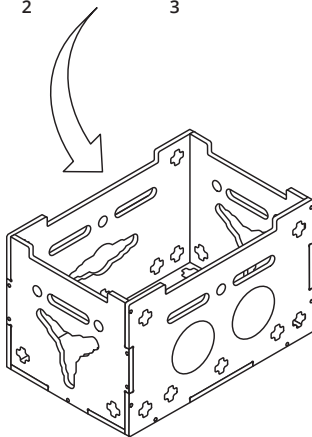
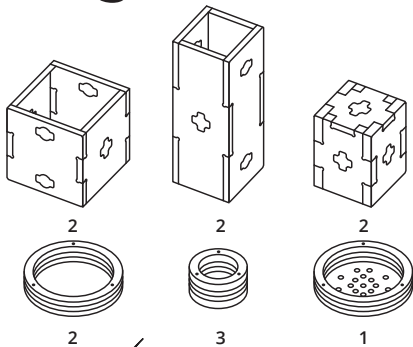
Large Drawer



x1

9

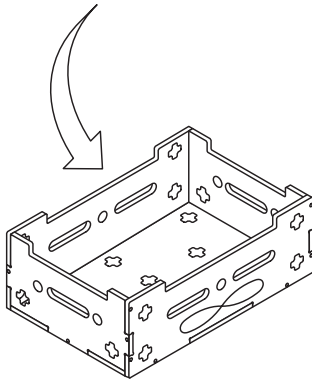
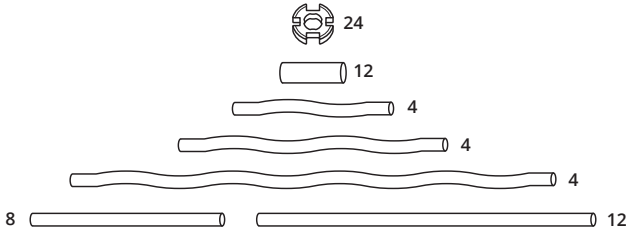
Large Drawer



x1

10

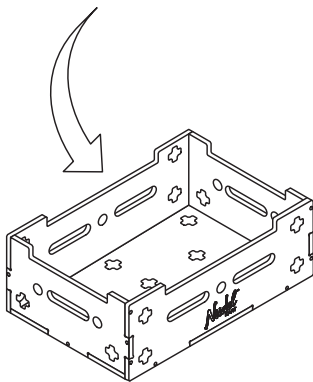
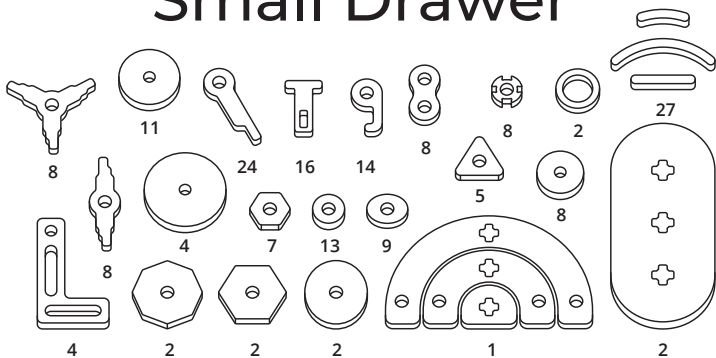
Small Drawer



x1

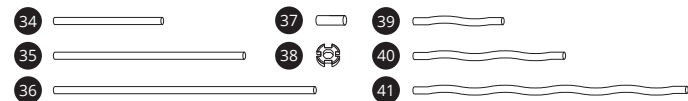
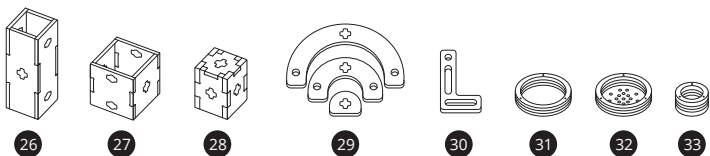
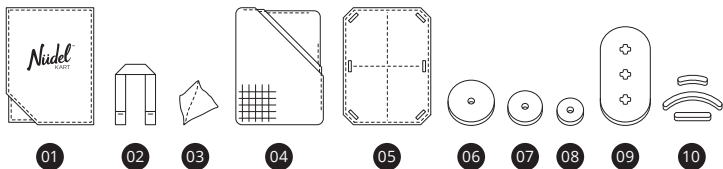
11

Small Drawer



x1

Play Pieces



- | | | |
|---------------------------|---------------------------|--------------------------|
| 01. Kart Cover x 1 | 15. Propeller 2 Point x 8 | 29. Rainbow x 1 |
| 02. Strap x 25 | 16. Glasses x 8 | 30. L Connector x 4 |
| 03. Bean Bag x 12 | 17. Small Coin x 13 | 31. Bowl x 2 |
| 04. Netting Material x 8 | 18. Small Oval x 9 | 32. Sieve x 1 |
| 05. Canvas Sheet x 6 | 19. Small Triangle x 5 | 33. Cup x 3 |
| 06. Large Wheel x 4 | 20. Small Hexagon x 7 | 34. Short Wood Dowel x 8 |
| 07. Medium Wheel x 11 | 21. Cog Connector x 8 | 35. Med Wood Dowel x 12 |
| 08. Small Wheel x 8 | 22. Ring x 2 | 36. Long Wood Dowel x 10 |
| 09. Large Oval x 2 | 23. Medium Octagon x 2 | 37. Connector Tube x 12 |
| 10. Wood Connector x 27 | 24. Medium Hexagon x 2 | 38. Silicone Ring x 24 |
| 11. Key Peg x 24 | 25. Medium Oval x 2 | 39. Short Play Tube x 4 |
| 12. T Peg x 16 | 26. Large Tube x 2 | 40. Medium Play Tube x 4 |
| 13. #9 Peg x 14 | 27. Medium Tube x 2 | 41. Long Play Tube x 4 |
| 14. Propeller 3 Point x 8 | 28. Funnel x 2 | |